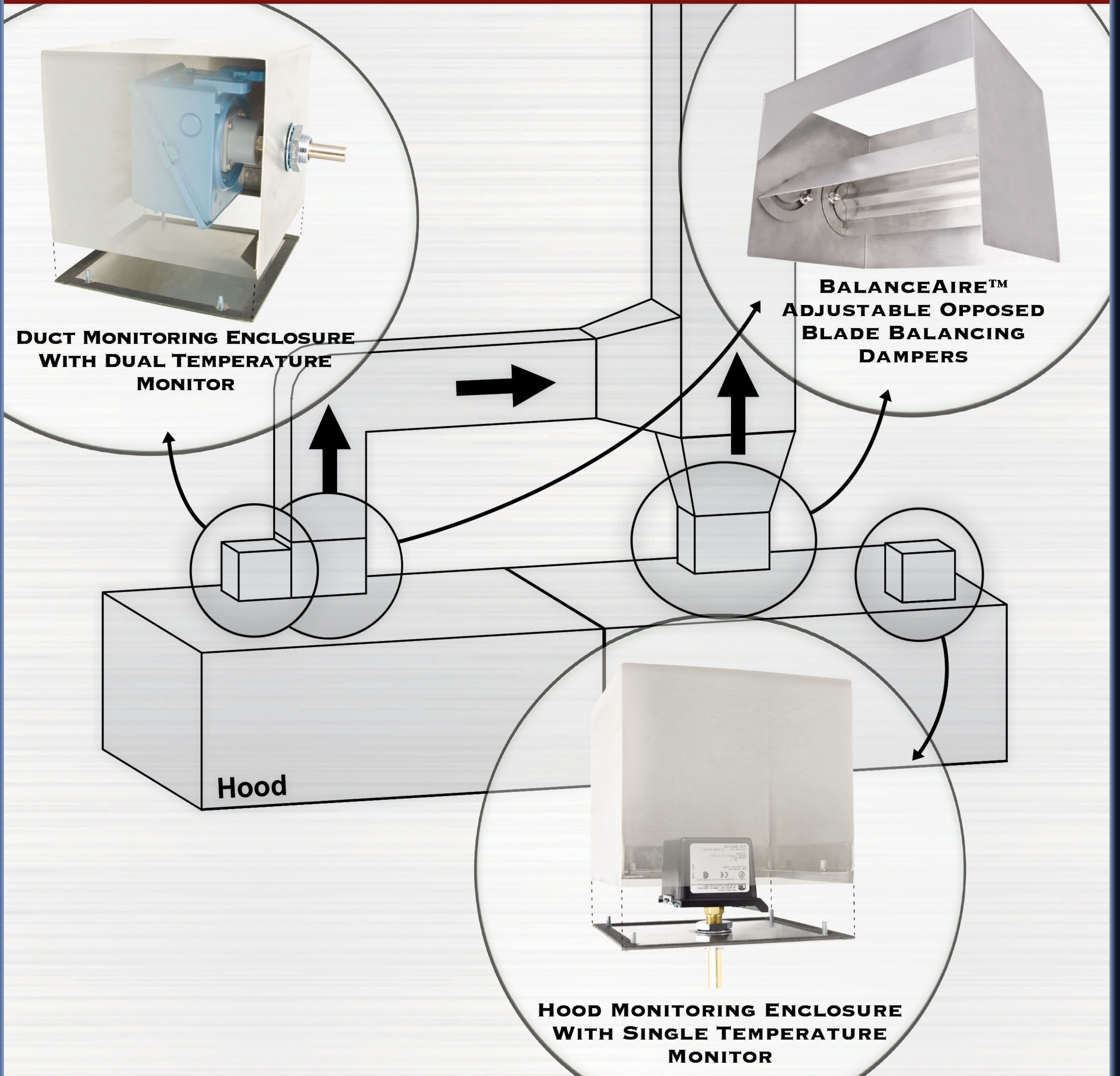


# *Balancing and Monitoring Equipment*

**FOR COMMERCIAL KITCHEN VENTILATION HOODS AND DUCTS**



**PATENT PENDING BALANCEAIRE™ • PATENT PENDING ENCLOSURES**



**WWW.STREIVOR.COM**



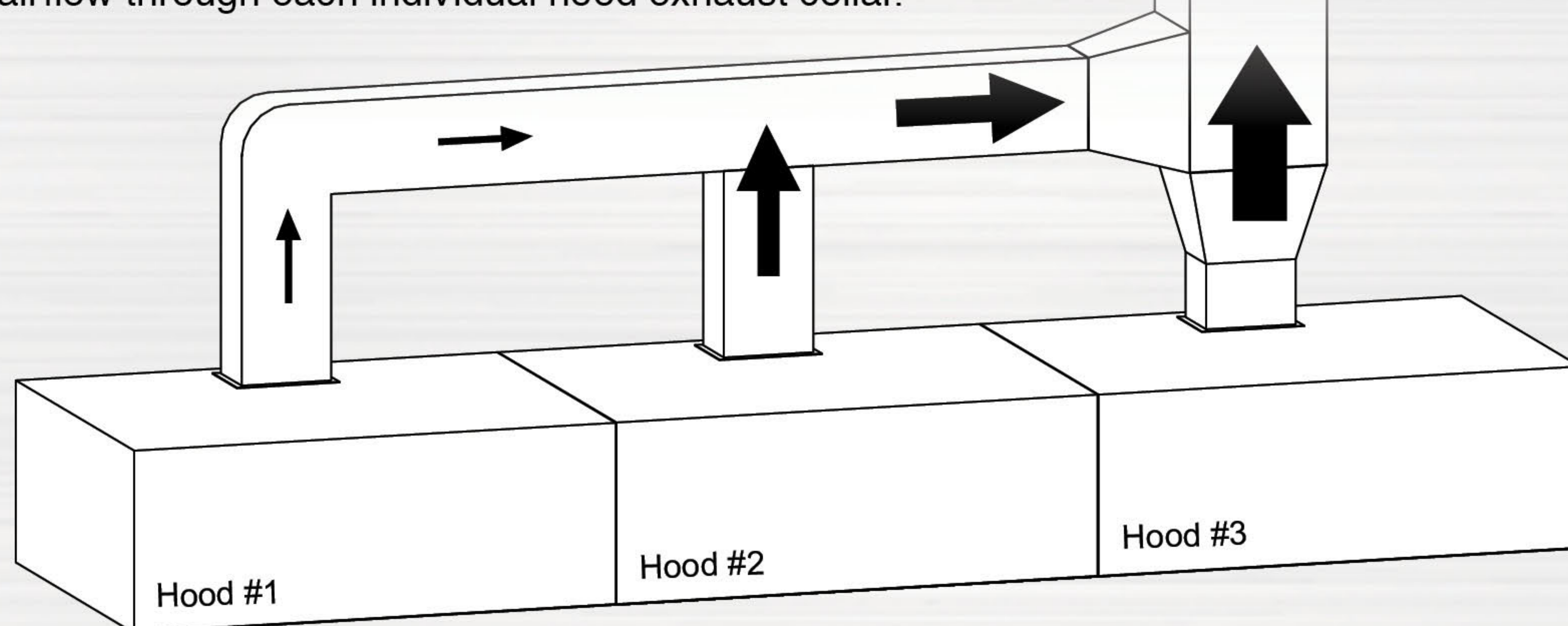


# INTRODUCES BALANCEAIRE™

Streivor™ Air Systems introduces the BalanceAire™ adjustable balancing dampers for kitchen ventilation hoods. BalanceAire™ is the first ever UL 710 Listed Variable Volume Low Profile Damper with independently adjustable opposed blades that can be locked, unlocked and adjusted from the inside of the damper through the hood.

## THE CHALLENGE

Connecting multiple hood exhaust collars to a common exhaust duct while maintaining the desired amount of exhaust airflow through each individual hood exhaust collar.



**Without  
BalanceAire™  
Hoods are out  
of Balance**

## THE SOLUTION

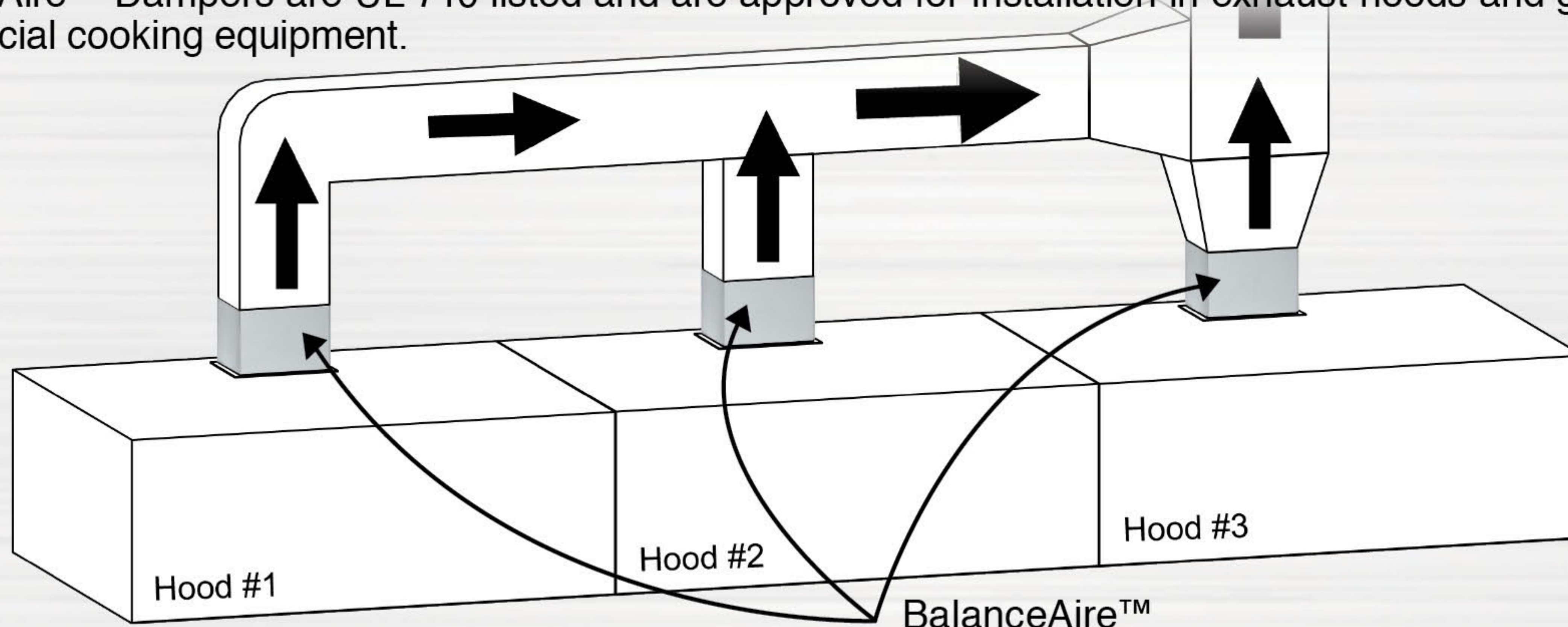
Streivor™ Air Systems BalanceAire™ variable volume, low profile adjustable opposed blade dampers.

The dampers are engineered to be installed in hoods or ducts in close proximity to the hood's exhaust plenum. The locking, unlocking and/or adjustments to the opposed blades can be made by accessing the BalanceAire™ through the hood. This eliminates the need to access the outside of the damper for adjustments, which often may be inaccessible due to obstructions such as ceilings, walls, fire shafts, fire wrap materials, space restrictions or enclosures.

The low profile opposed blade design is the perfect solution for balancing exhaust airflows in the extremely limited space that is often available above or behind commercial kitchen ventilation hoods.

The opposed blade design of the dampers allows for an infinite amount of minute adjustments ranging from 100% open to 95% closed. This patent pending design is capable of facilitating airflow balancing by creating airflow restrictions from minor to major.

BalanceAire™ Dampers are UL 710 listed and are approved for installation in exhaust hoods and grease ducts for commercial cooking equipment.



**With  
BalanceAire™  
Hoods can be  
Balanced**

**NFPA 96 Compliant**

**Dampers:**

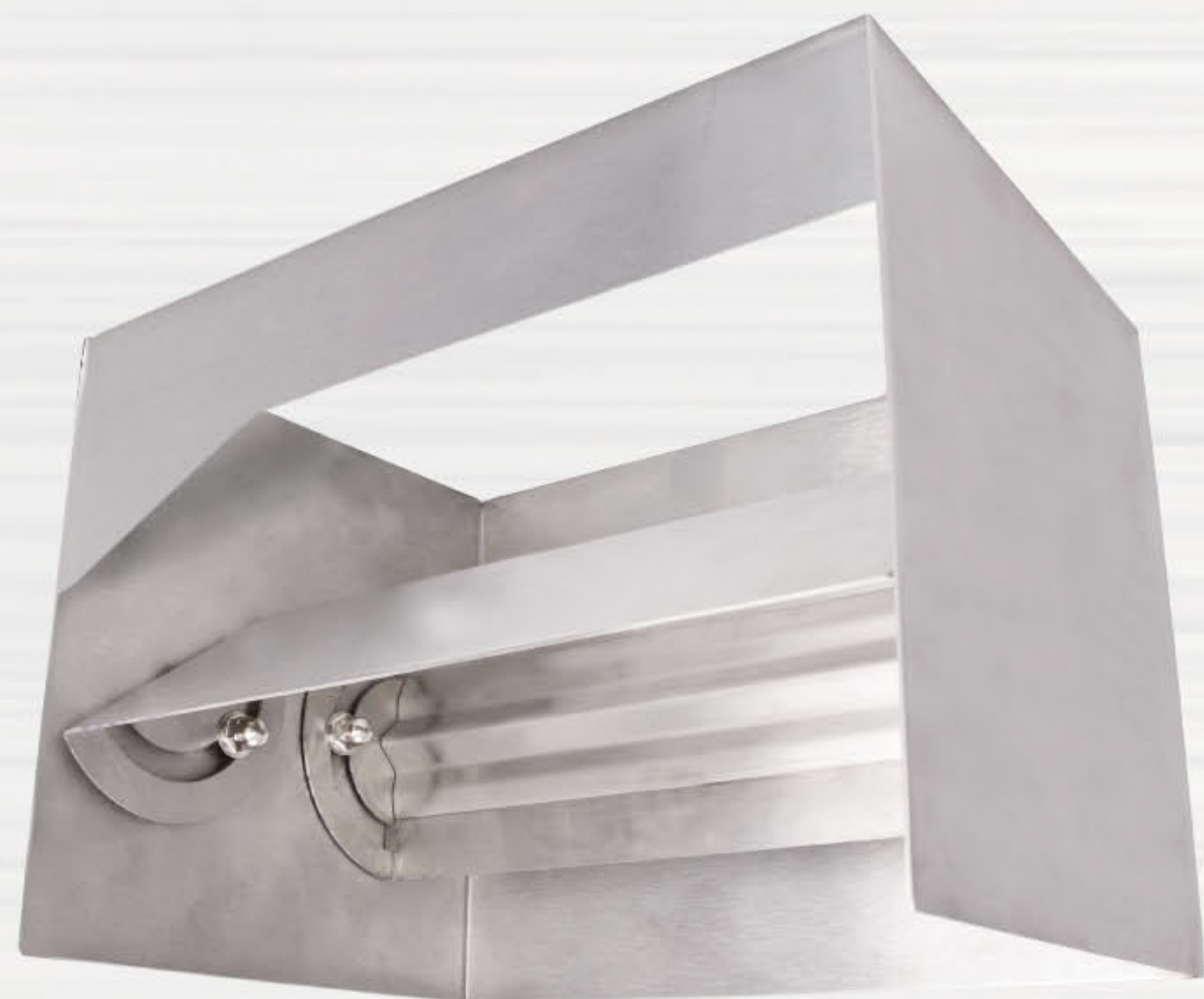
**Section 9.1.2**

Where specifically listed for such use or where required as part of a listed device or system, dampers in exhaust ducts or exhaust duct systems shall be permitted.



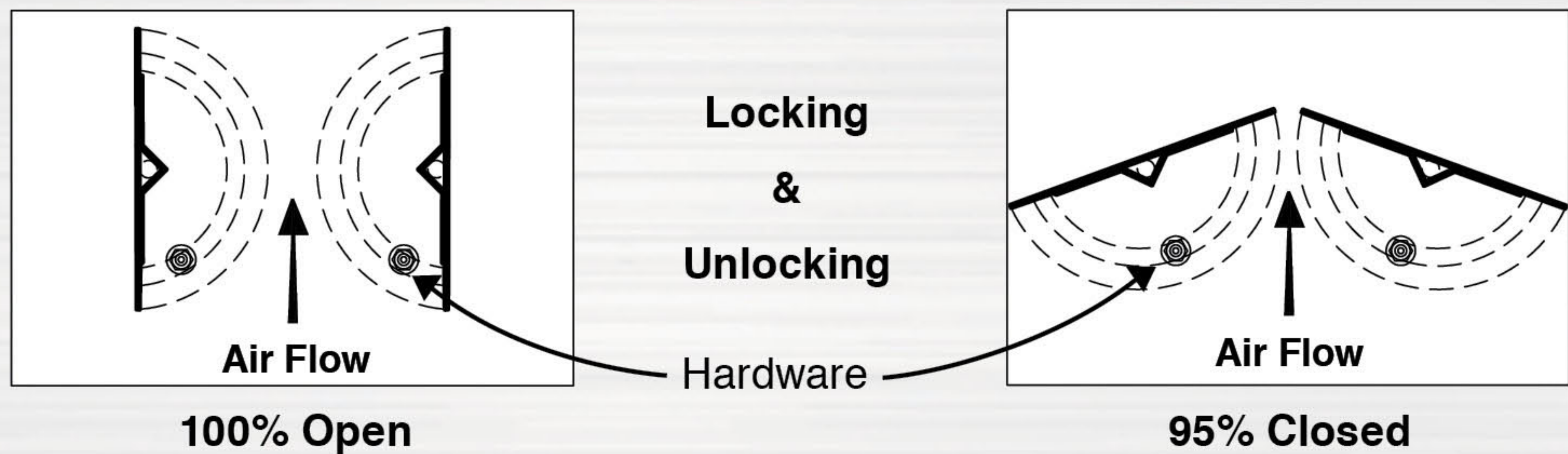


# INTRODUCES BALANCEAIRE™

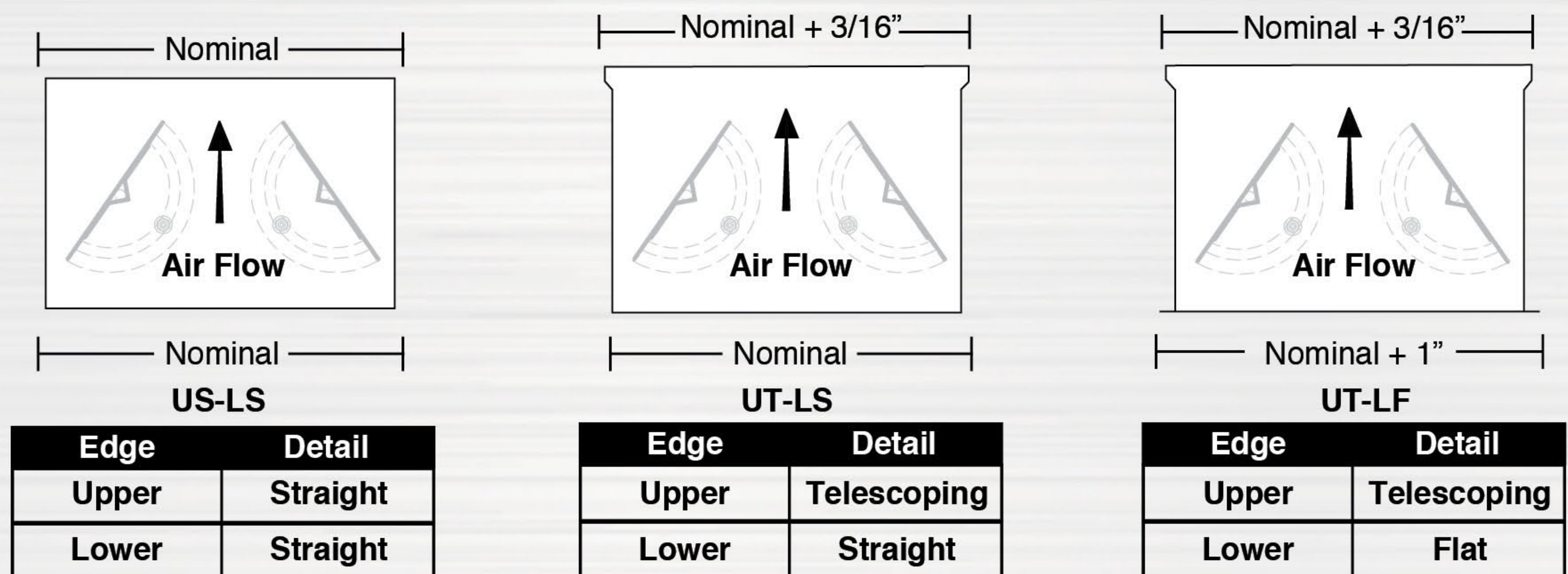


- UL 710 Listed for use in Hoods and Ducts
- NFPA 96 Compliant
- Adjustable Opposed Blades
- 100% open to 95% closed
- Locking, Unlocking and adjusting hardware is located inside of the damper, accessible through the hood
- Low profile design
- All welded construction

## BLADE POSITIONING

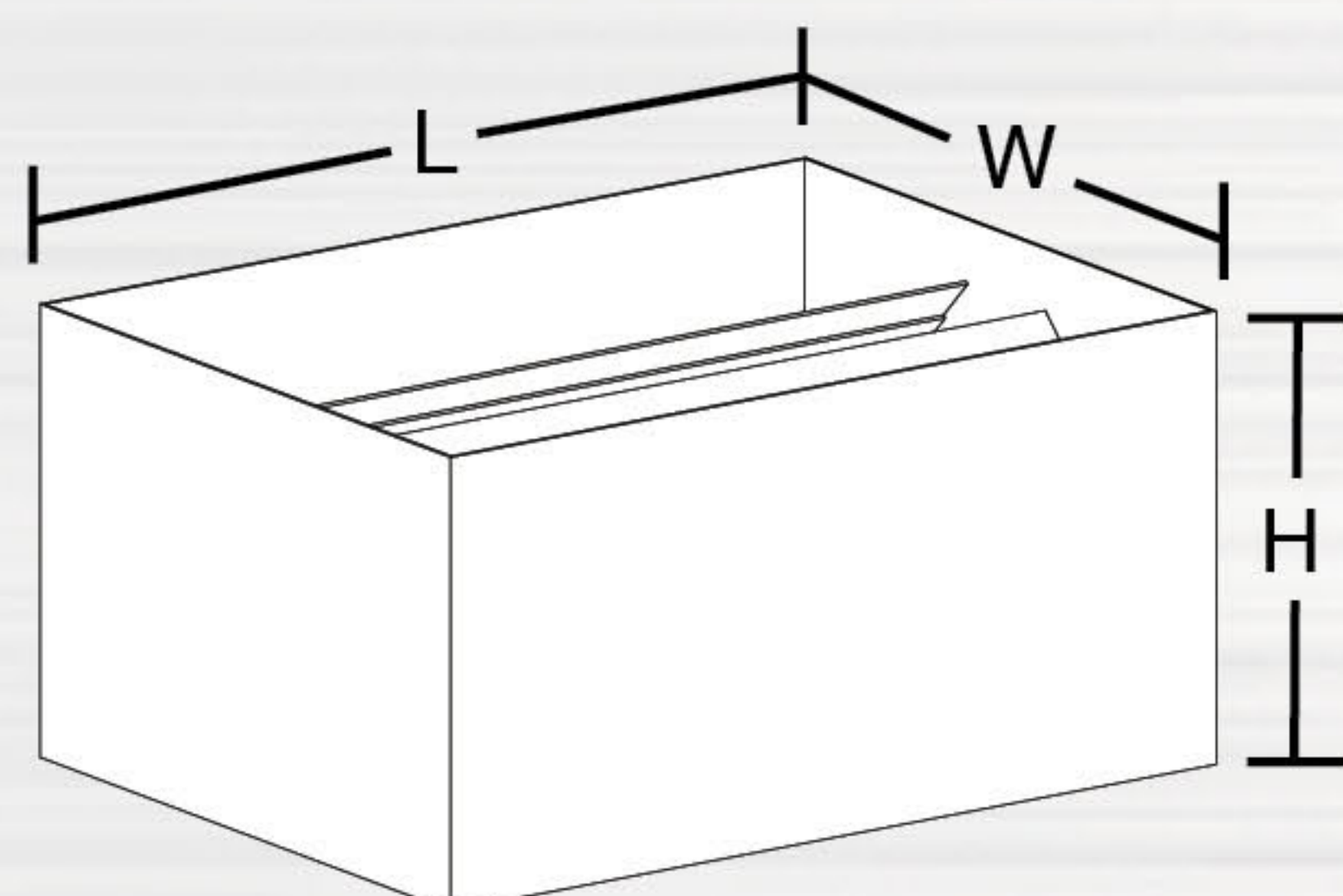


## EDGE DETAILS



## DIMENSIONING

Minimum height of the damper is determined by the damper width:



DAMPER WIDTH	DAMPER MIN. HEIGHT
8" to 11"	8"
12" to 16"	10"
17" to 21"	12"
22" to 24"	14"



Model Series: **BD** - Length: \_\_\_\_\_ Width: \_\_\_\_\_ Height: \_\_\_\_\_ Edge: \_\_\_\_\_



# INTRODUCES ENCLOSURES

Streivor™ Air Systems introduces Enclosures, the first ever UL 710 Listed hood and/or duct mounted enclosure with removable cover that protects hood and duct mounted monitoring equipment and allows access to the equipment through the hood.

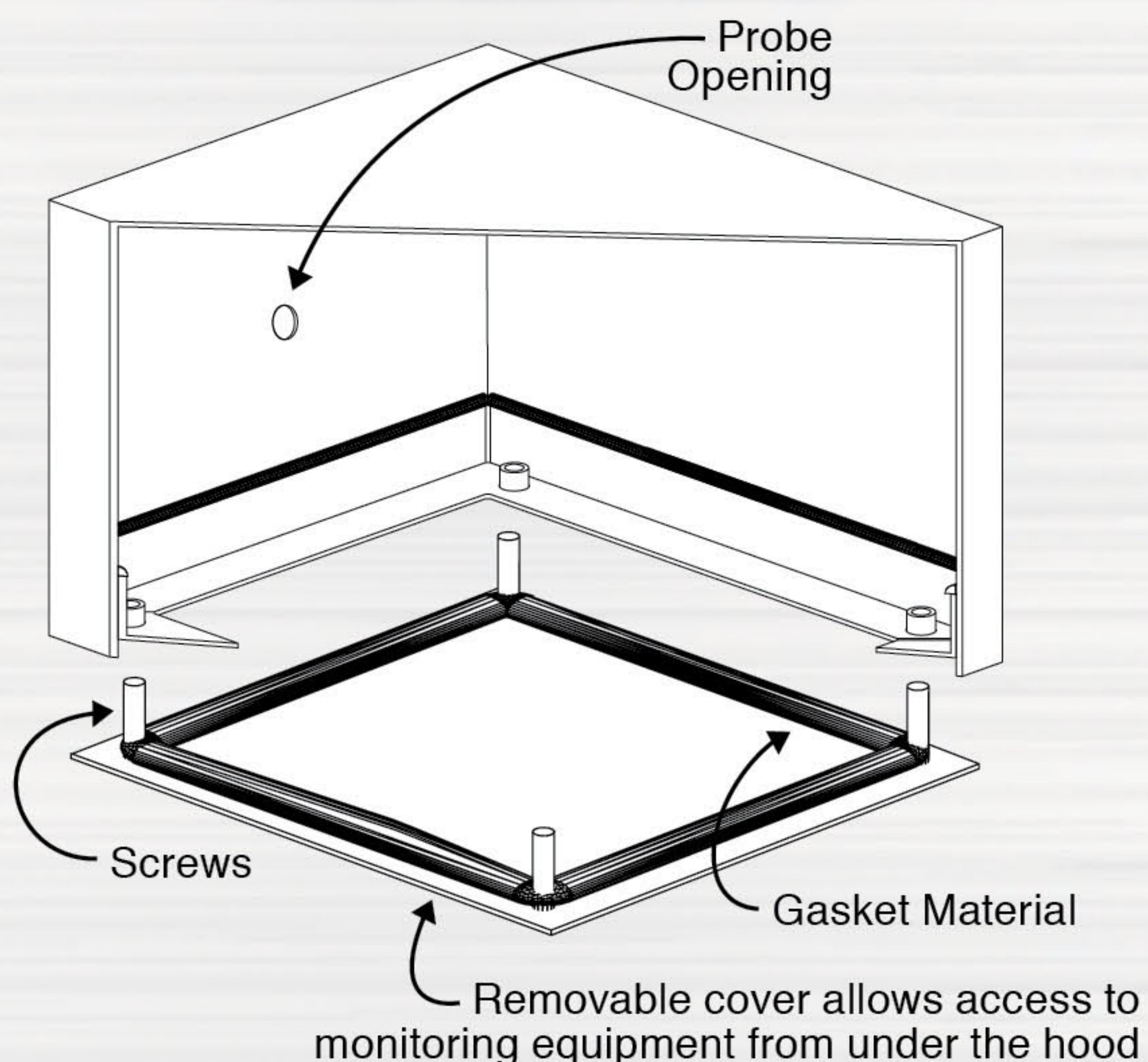
## THE CHALLENGE

Installation of monitoring equipment designed to measure conditions inside of hoods and/or ducts needs to be easily accessible for adjustments, service and/or replacement. Accessing the hood or duct mounted monitoring equipment from outside of the hood or duct does not meet the requirement of easily accessible and often is not accessible at all, due to ceilings, walls or other obstructions.

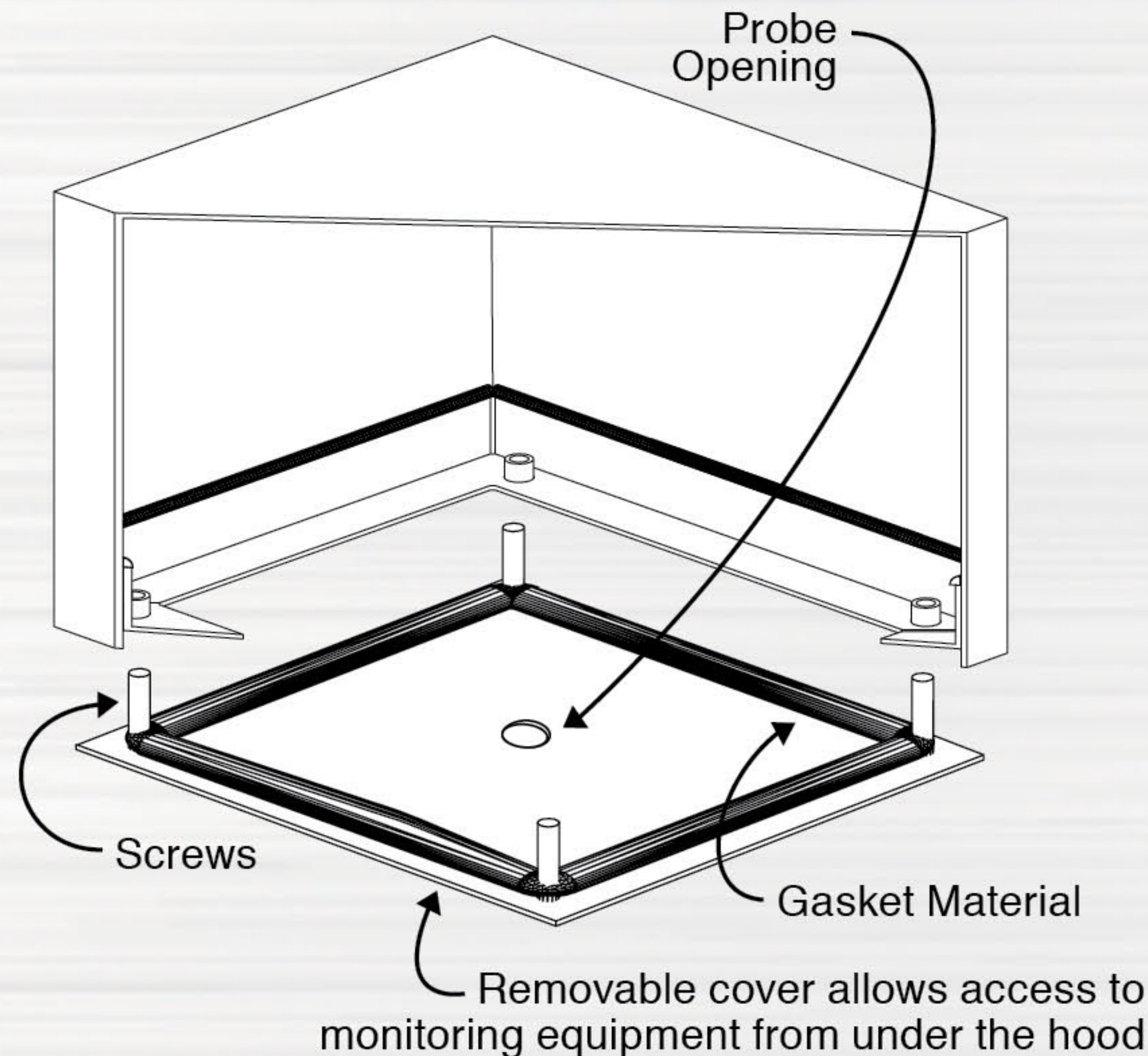
## THE SOLUTION

Streivor™ Air Systems UL 710 Listed Enclosures with UL 1978 seals that facilitate duct and/or hood mounted monitoring equipment. Streivor's Enclosures are engineered to be fully welded into hoods and/or ducts, while still incorporating a removable protective cover that seals the Enclosure, protecting the monitoring equipment, and is accessible from inside the hood or duct. When the Enclosure's cover is removed it allows easy access for installation, adjustments and service to the equipment inside.

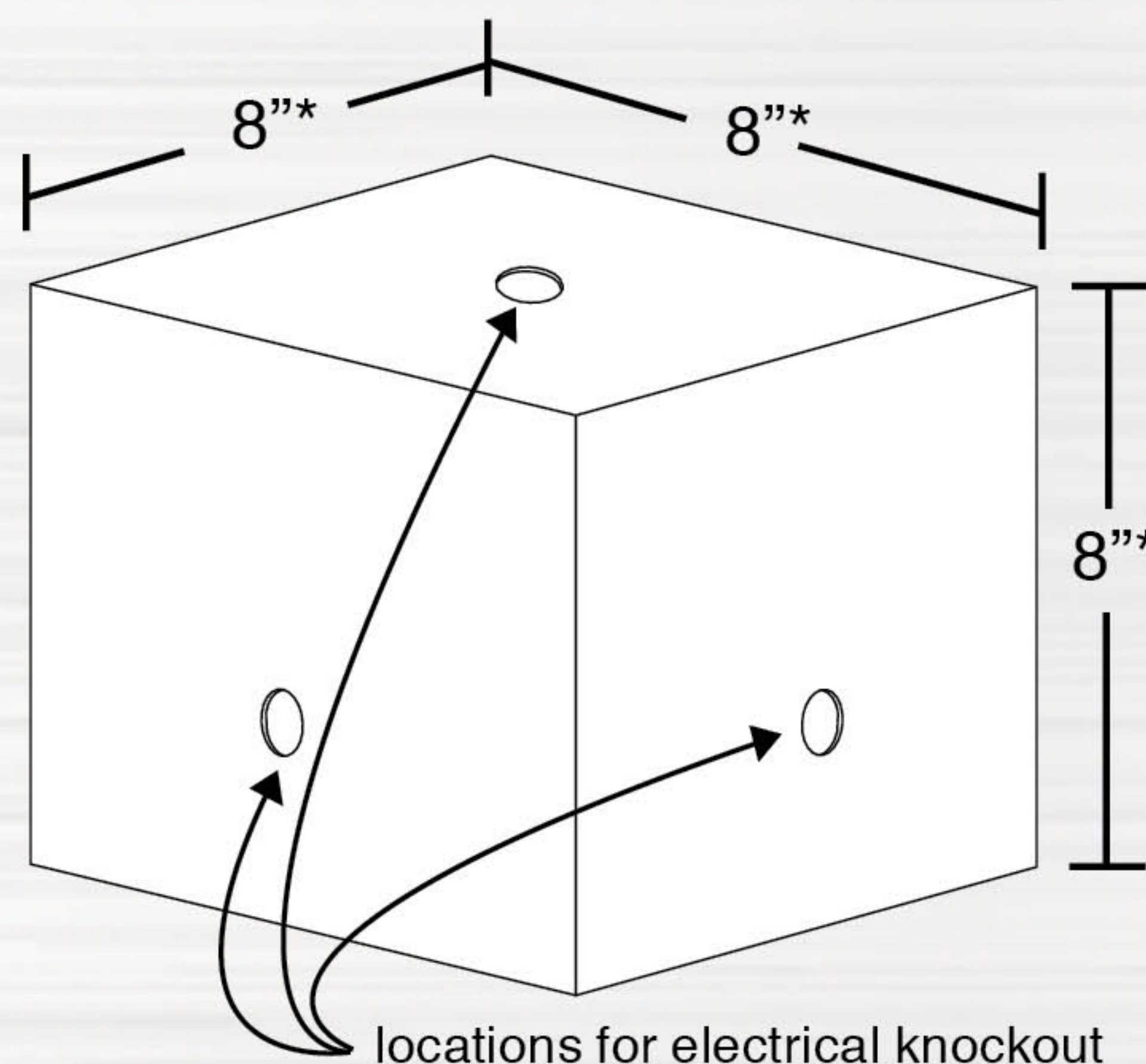
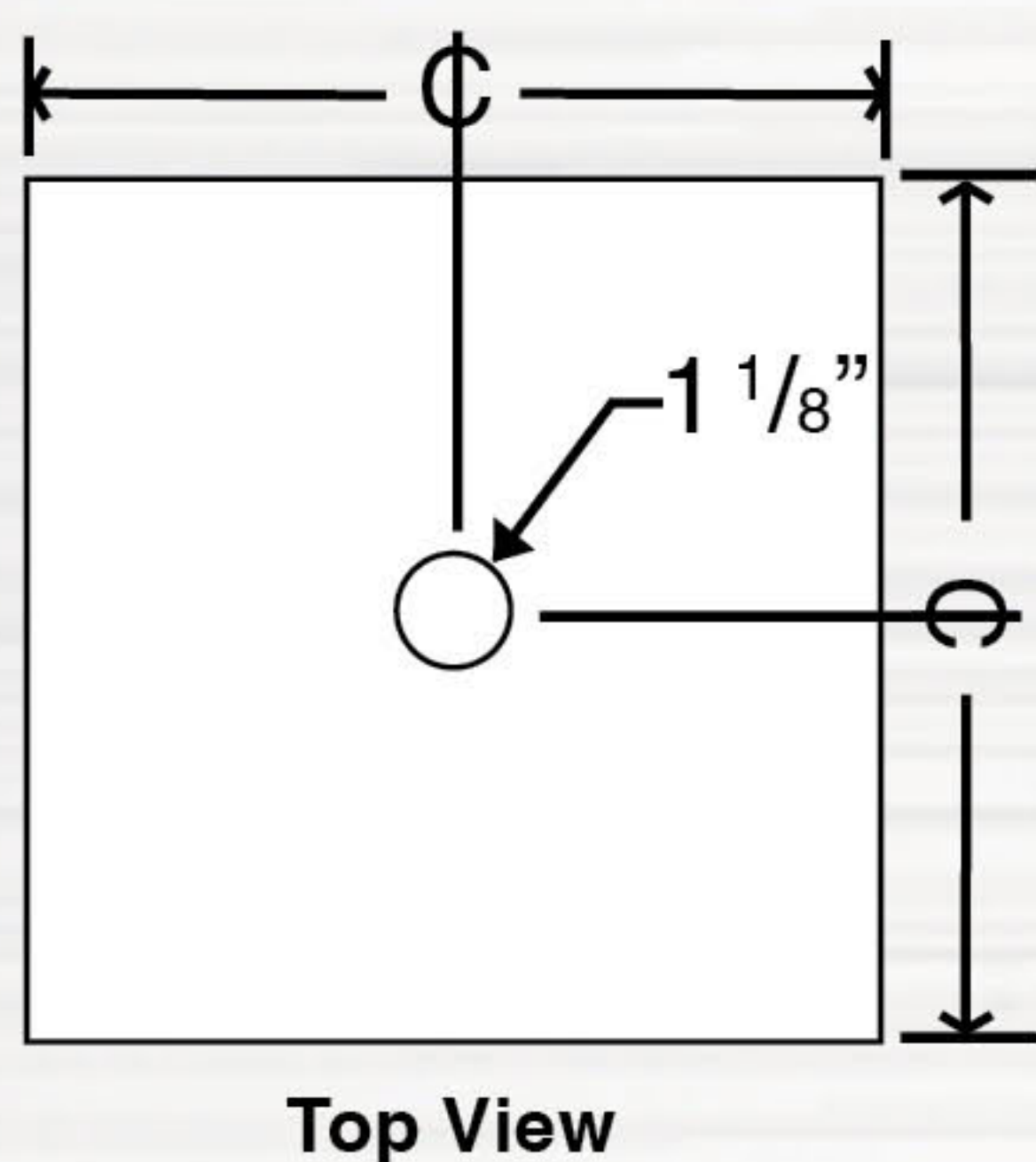
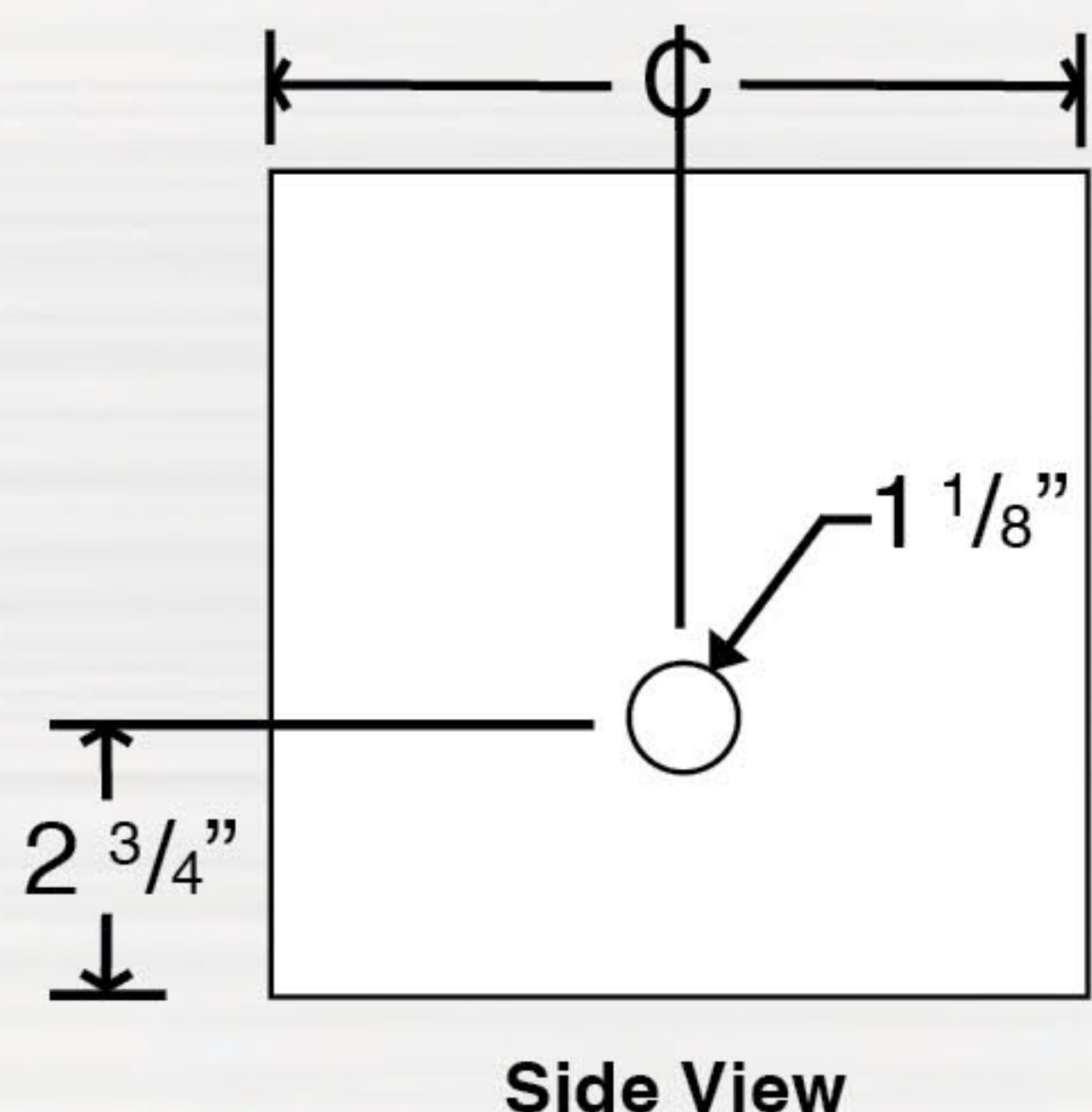
### DUCT ENCLOSURE



### HOOD ENCLOSURE



## ELECTRICAL KNOCKOUTS



\* Standard enclosure size will be 8"x8"x8"  
Consult the factory for custom sizing



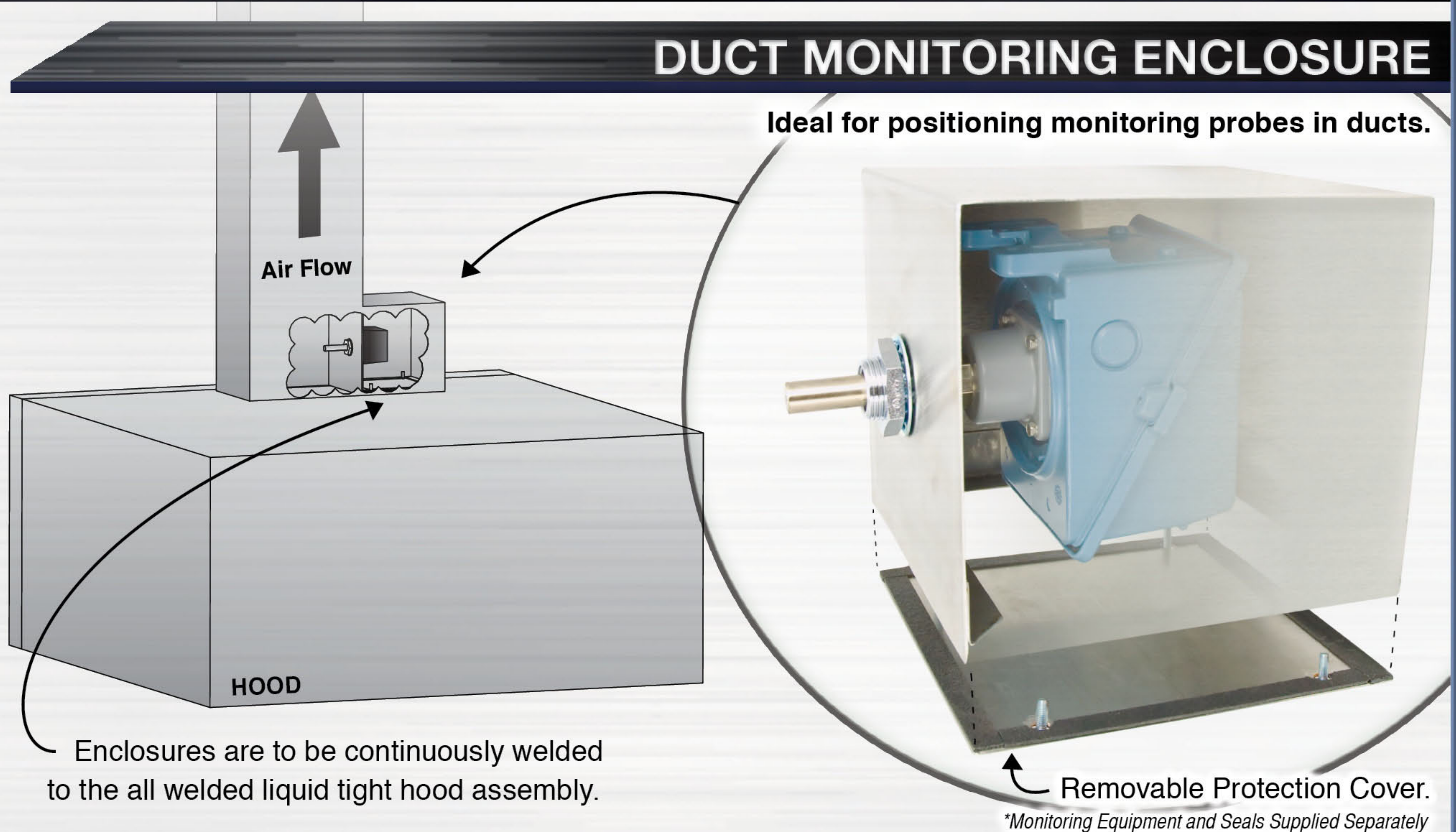
Model Series: ENC - Duct or Hood: \_\_\_\_\_ Length: \_\_\_\_\_ Width: \_\_\_\_\_ Height: \_\_\_\_\_ Hole Size: \_\_\_\_\_



# ENCLOSURES FOR MONITORING EQUIPMENT

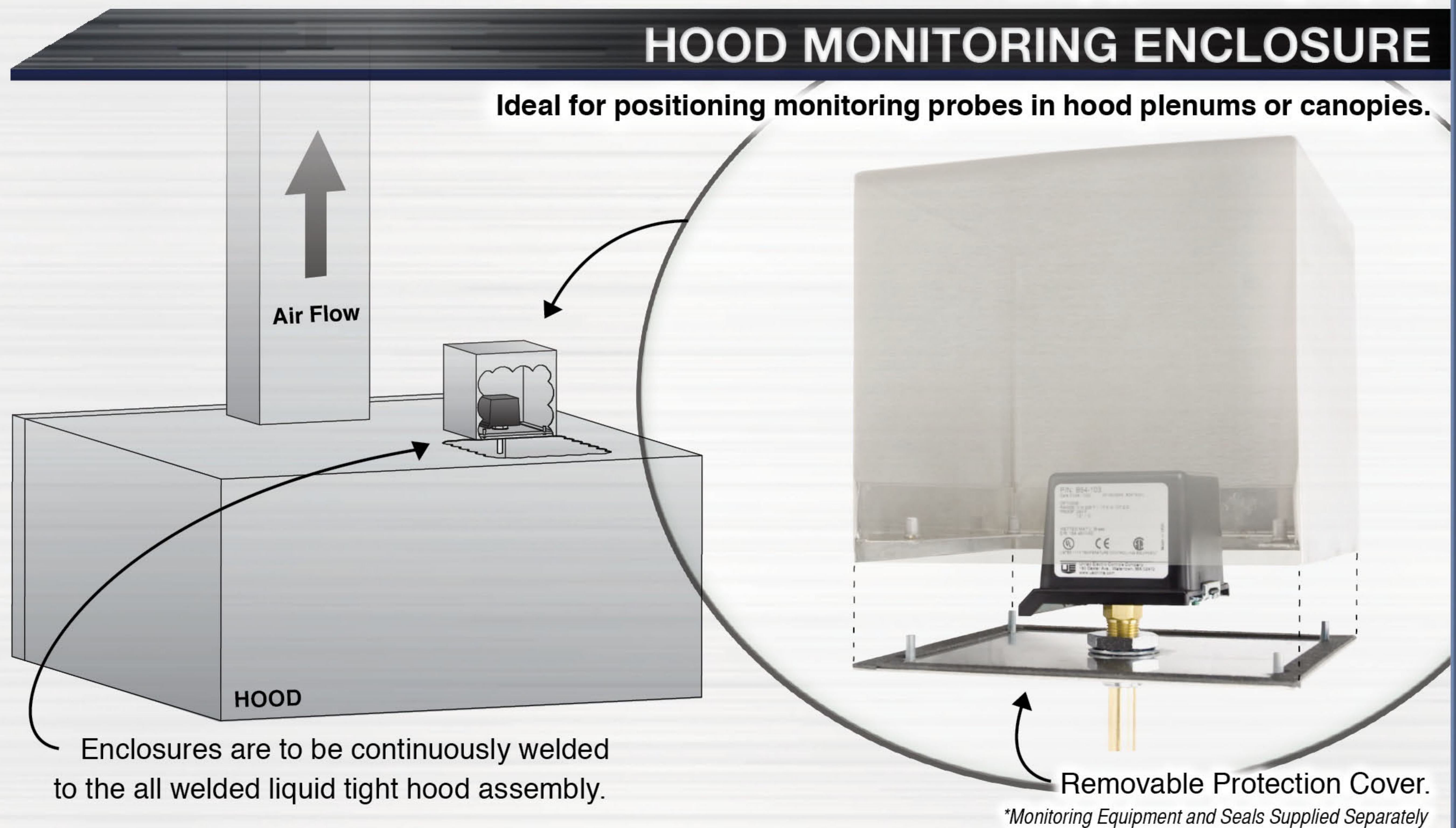
## DUCT MONITORING ENCLOSURE

Ideal for positioning monitoring probes in ducts.



## HOOD MONITORING ENCLOSURE

Ideal for positioning monitoring probes in hood plenums or canopies.



**NFPA 96 Compliant**

*Hoods:*

**Section 5.1.5**

Penetrations shall be permitted to be sealed by devices that are listed for such use and whose presence does not detract from the hood's or duct's structural integrity.



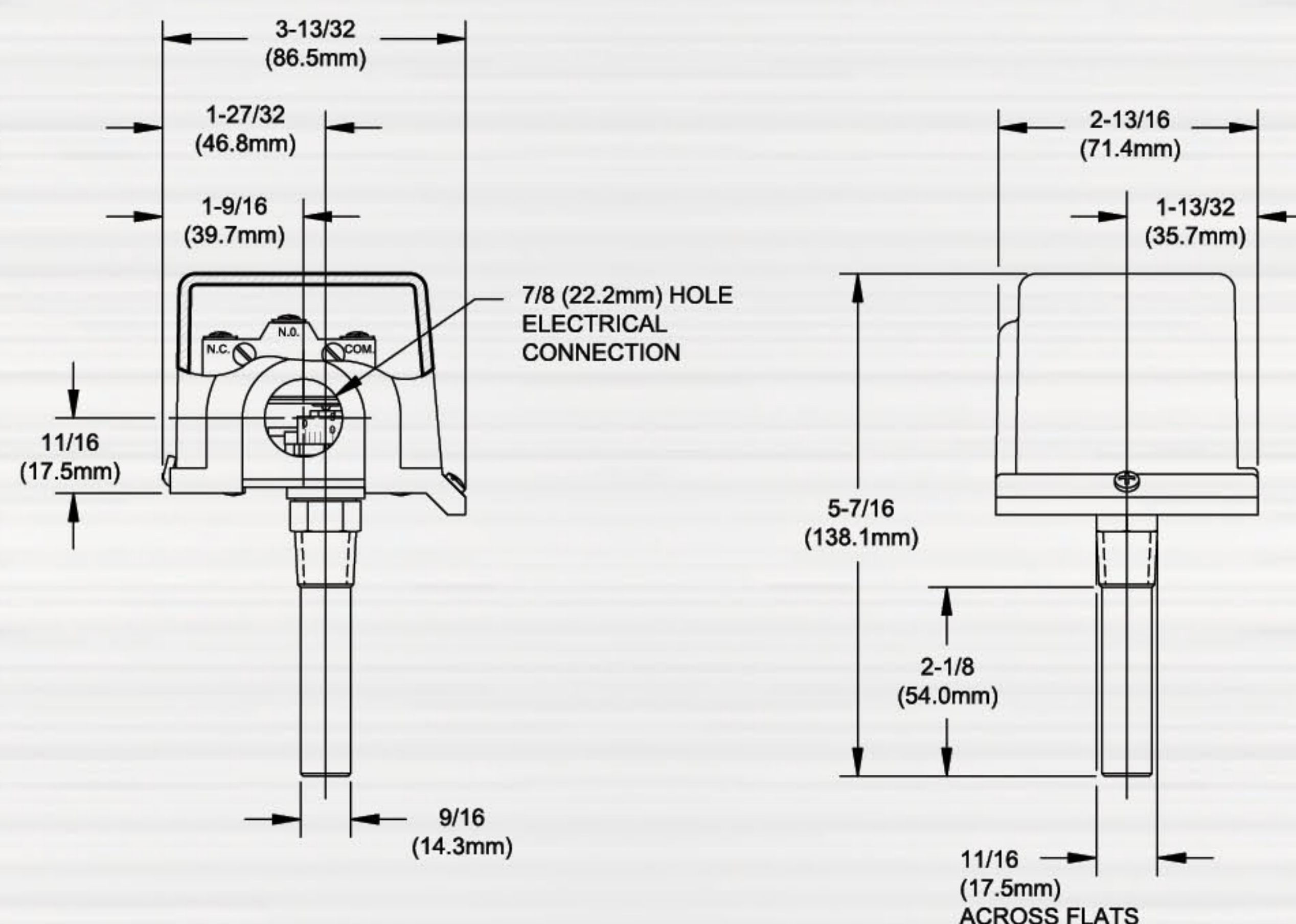
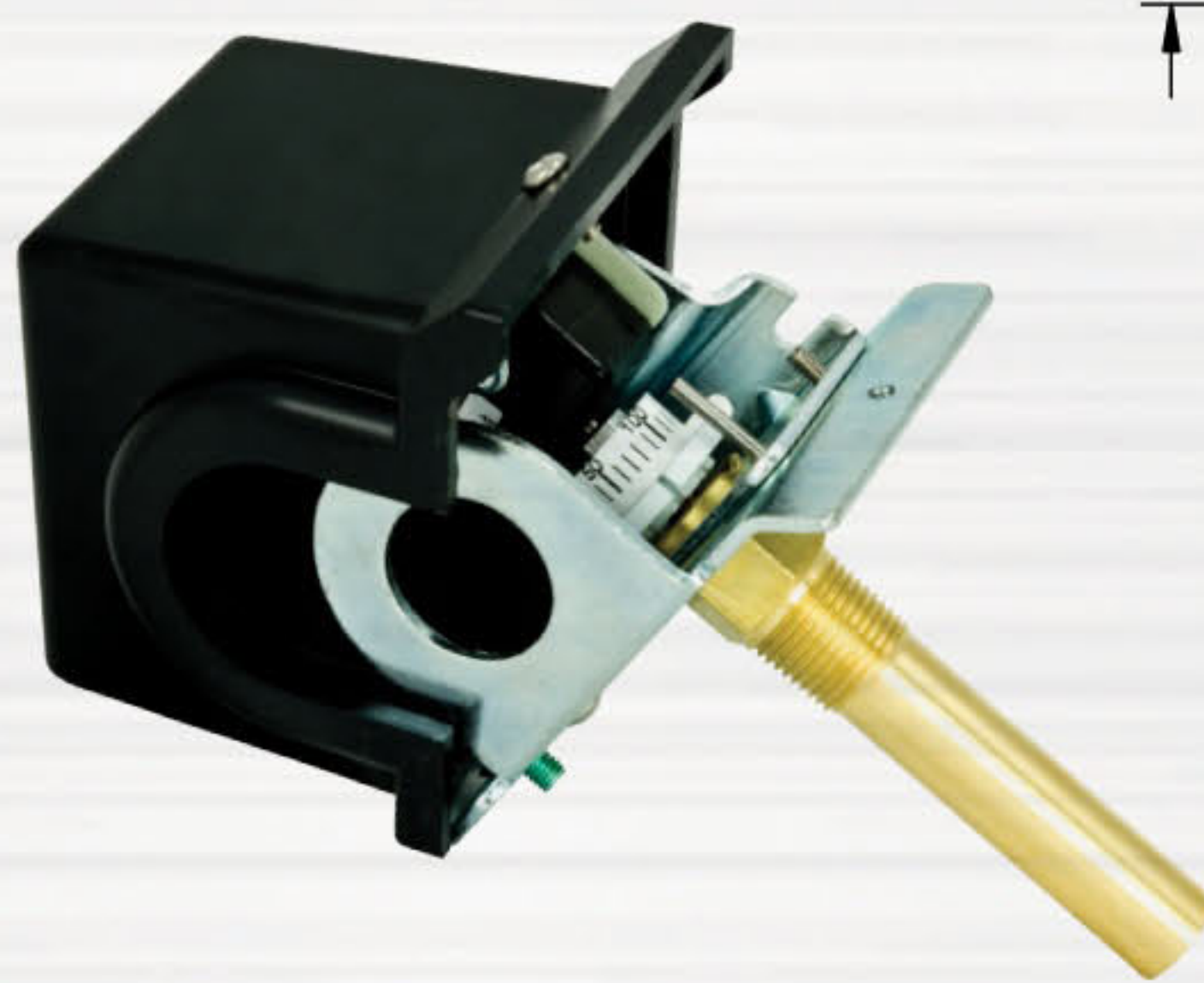
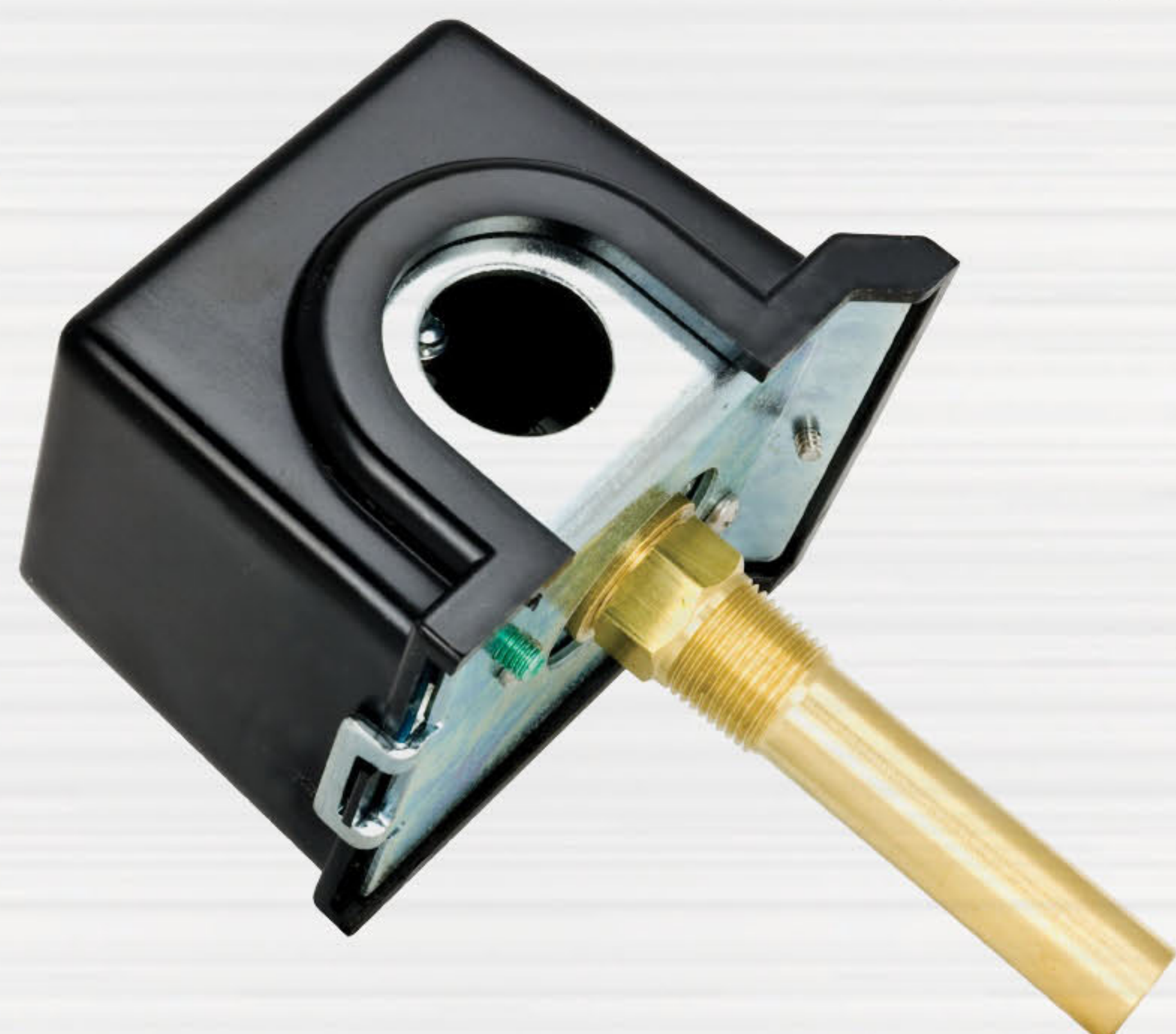
Model Series: **ENC** - Duct or Hood: \_\_\_\_\_ Length: \_\_\_\_\_ Width: \_\_\_\_\_ Height: \_\_\_\_\_ Hole Size: \_\_\_\_\_



# TEMPERATURE MONITORING CONTROLS FOR HOODS AND DUCTS

## SINGLE MONITORING CONTROL

- UL 111H Listed
- Direct Mounted
- Choice of one temperature setpoint
- Single Adjustable Temperature Setting



*\*Seals to be provided separately*

Streivor™ Air Systems monitoring controls can be installed in commercial kitchen ventilation hoods and/or ducts to monitor temperatures in accordance with NFPA 96 Section 11.1.1.

### NFPA 96 Compliant

#### Electrical Equipment:

##### Section 9.2.1

Wiring systems of any type shall not be installed in ducts.

##### Section 9.2.2

Only where specifically listed for such use shall motors, lights, and other electrical devices be permitted to be installed in ducts or hoods or to be located in the path of travel of exhaust products.

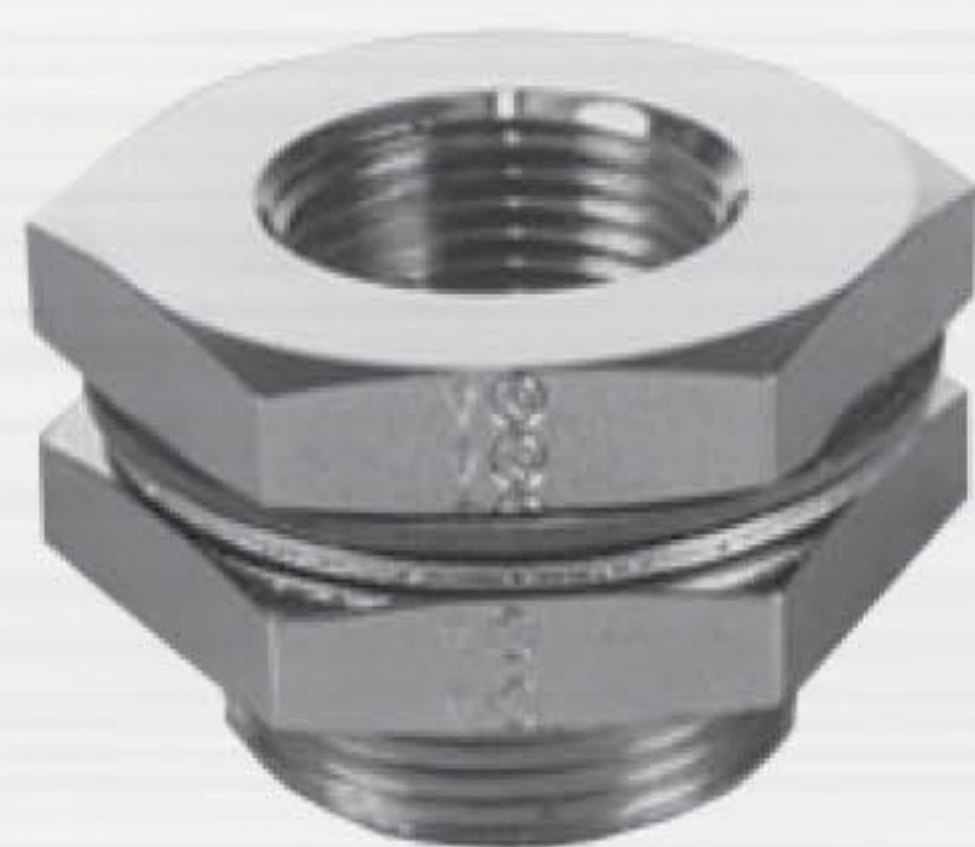
##### Section 11.1.1

Exhaust systems shall be operated whenever cooking equipment is turned on.



## HOLE SEALS AND PATCHES

### QUIK-SEAL



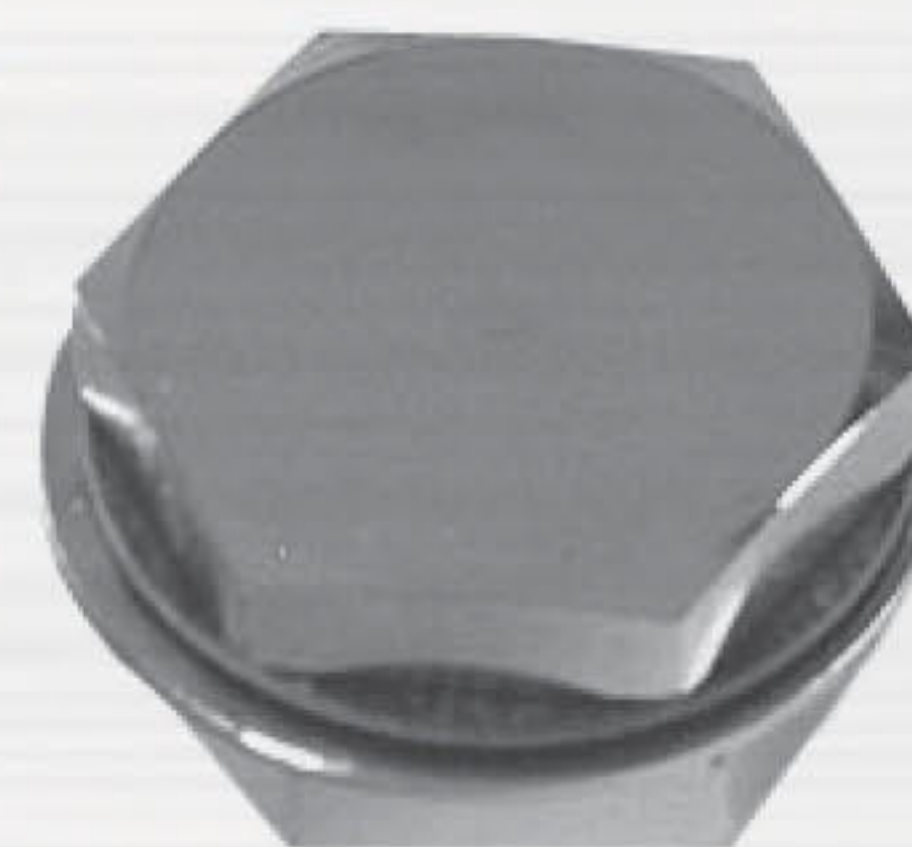
The Quik-Seals produce weld-tight seals, able to withstand internal pressures of 5000 PSI. They offer internal pipe threads and are offered in 5 standard pipe sizes: 1/4", 3/8", 1/2", 3/4", 1".

### COMPRESSION SEAL



The Compression seal produces a liquid-tight seal, and is the superior choice for swift installation. Available in 7 standard sizes: 3/8" Tube, 1/2" Tube & 1/4" Pipe, 5/8" Tube & 3/8" Pipe, 1/2" EMT Conduit, 1/2" Pipe, 3/4" Pipe, 1" Pipe.

### QUIK-PATCH



Use Quik-Patch to seal holes that are unwanted or no longer used. Sizes from 3/4" to 1 7/8".

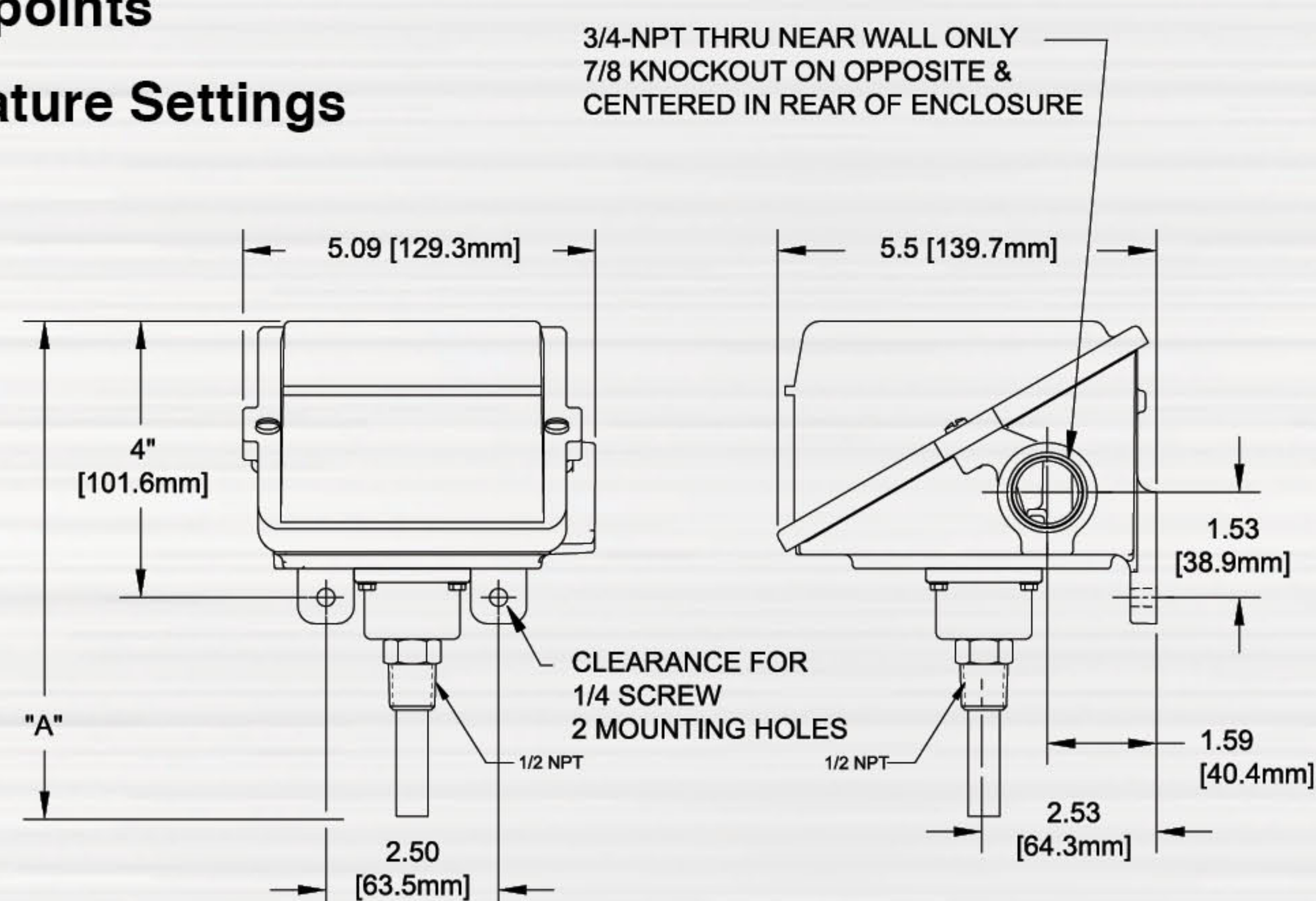
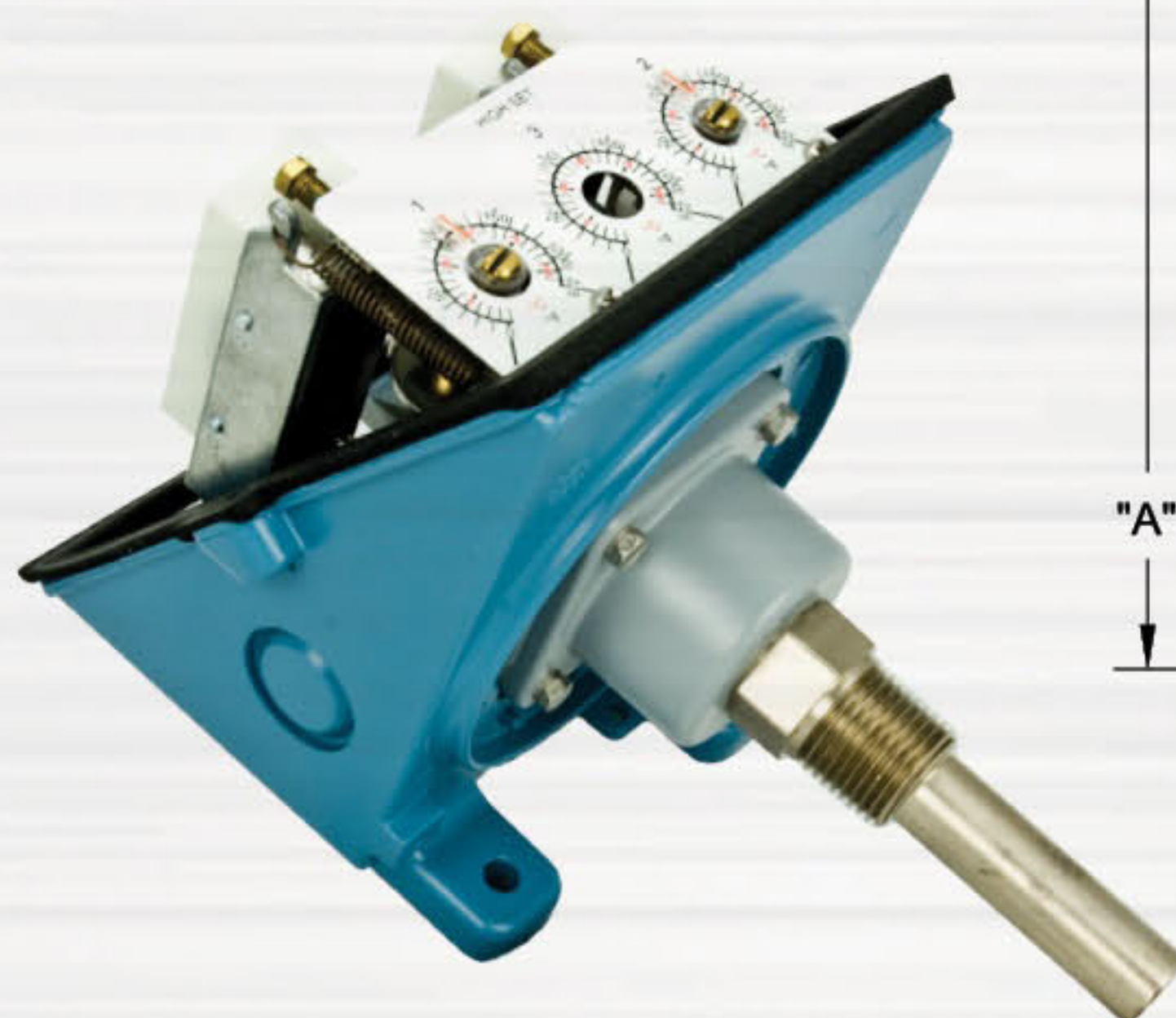
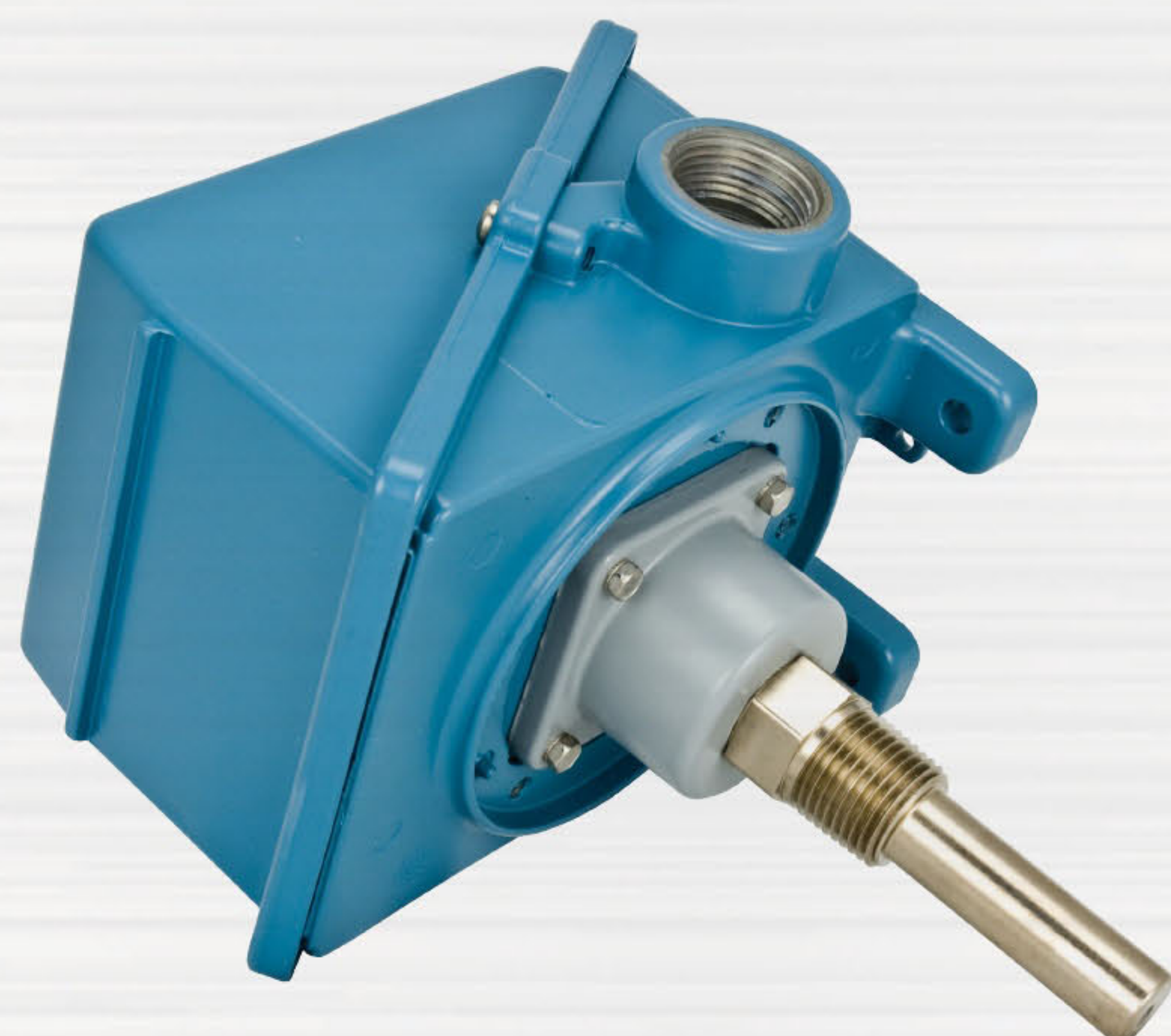




# TEMPERATURE MONITORING CONTROLS FOR HOODS AND DUCTS

## DUAL MONITORING CONTROL

- UL 111H Listed
- Direct Mounted
- Choice of one or two setpoints
- Dual Adjustable Temperature Settings



*\*Seals to be provided separately*

Streivor™ Air Systems monitoring controls can be installed in commercial kitchen ventilation hoods and/or ducts to monitor temperatures in accordance with NFPA 96 Section 11.1.1.

### NFPA 96 Compliant

#### **Electrical Equipment:**

#### **Section 9.2.1**

Wiring systems of any type shall not be installed in ducts.

#### **Section 9.2.2**

Only where specifically listed for such use shall motors, lights, and other electrical devices be permitted to be installed in ducts or hoods or to be located in the path of travel of exhaust products.

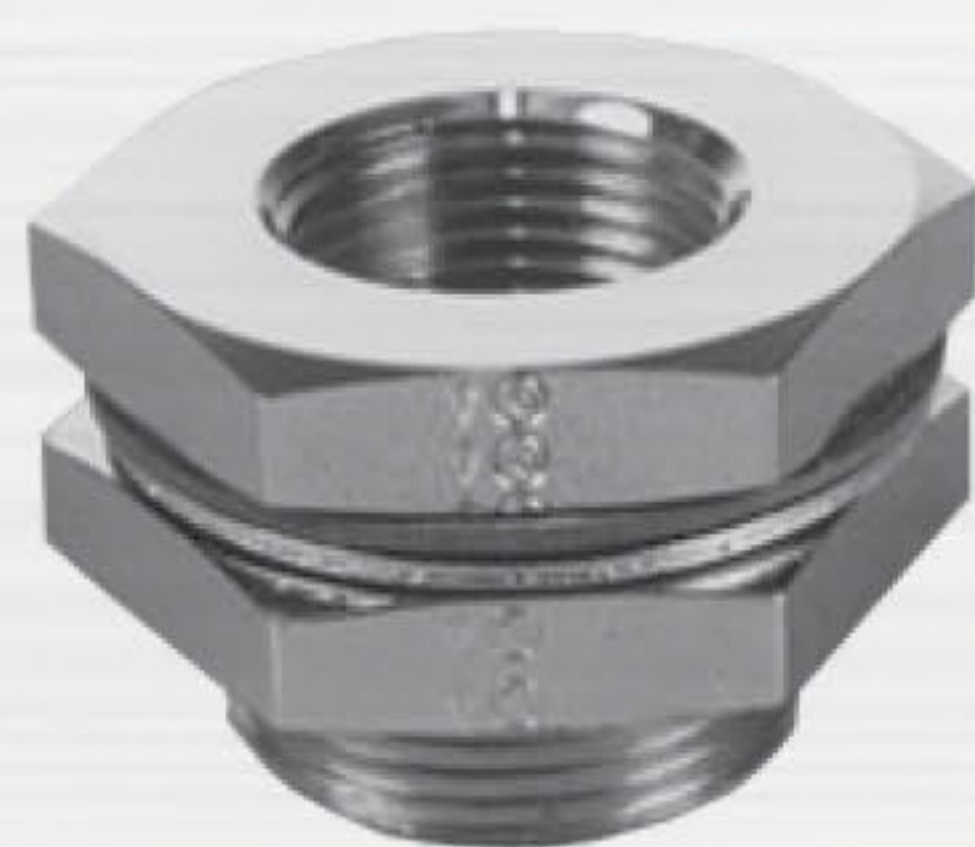
#### **Section 11.1.1**

Exhaust systems shall be operated whenever cooking equipment is turned on.



## HOLE SEALS AND PATCHES

### QUIK-SEAL



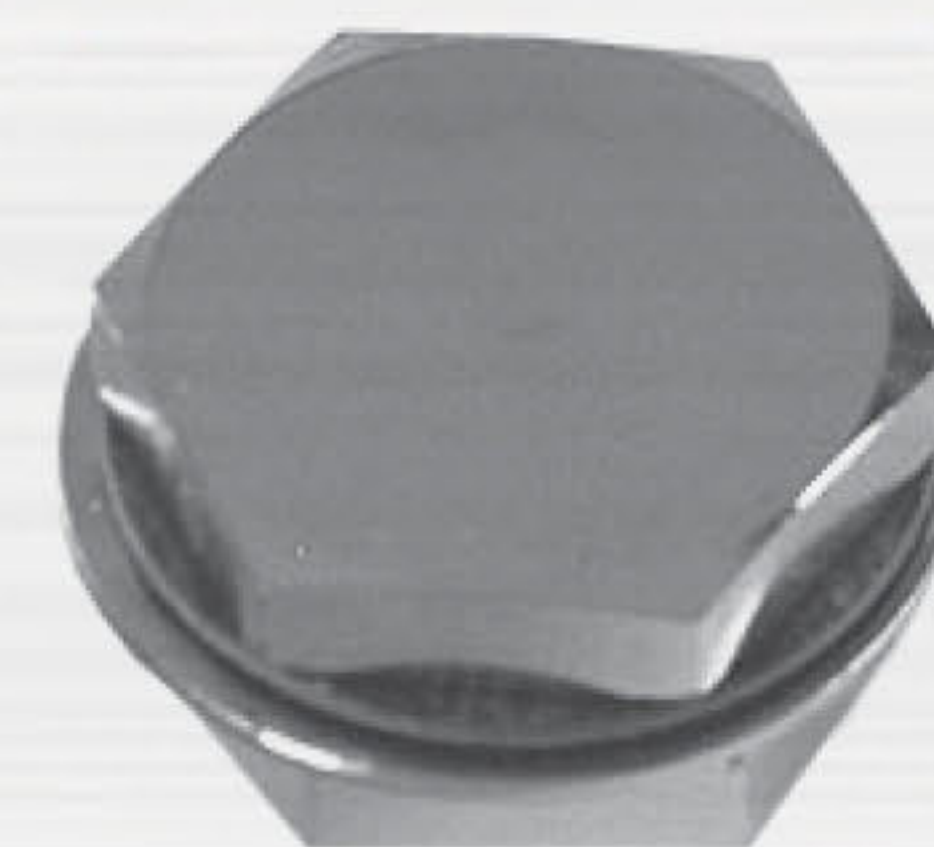
The Quik-Seals produce weld-tight seals, able to withstand internal pressures of 5000 PSI. They offer internal pipe threads and are offered in 5 standard pipe sizes: 1/4", 3/8", 1/2", 3/4", 1".

### COMPRESSION SEAL



The Compression seal produces a liquid-tight seal, and is the superior choice for swift installation. Available in 7 standard sizes: 3/8" Tube, 1/2" Tube & 1/4" Pipe, 5/8" Tube & 3/8" Pipe, 1/2" EMT Conduit, 1/2" Pipe, 3/4" Pipe, 1" Pipe.

### QUIK-PATCH



Use Quik-Patch to seal holes that are unwanted or no longer used. Sizes from 3/4 to 1 7/8.





**THE ULTIMATE IN KITCHEN VENTILATION SYSTEMS**



**WALL CANOPY HOODS**

with StreamAire Technology  
The Ultimate in Energy  
Efficient Hood Design  
Patent Pending



**GREASE GUZZLER**

The Ultimate Adjustable  
High Velocity Cartridge Filter  
US Patent No. 6,394,083



**BALANCEAIRE**

The Ultimate Hood  
Balancing Damper  
Patent Pending



**DEMANDAIRE**

The Ultimate in Demand  
Ventilation Systems



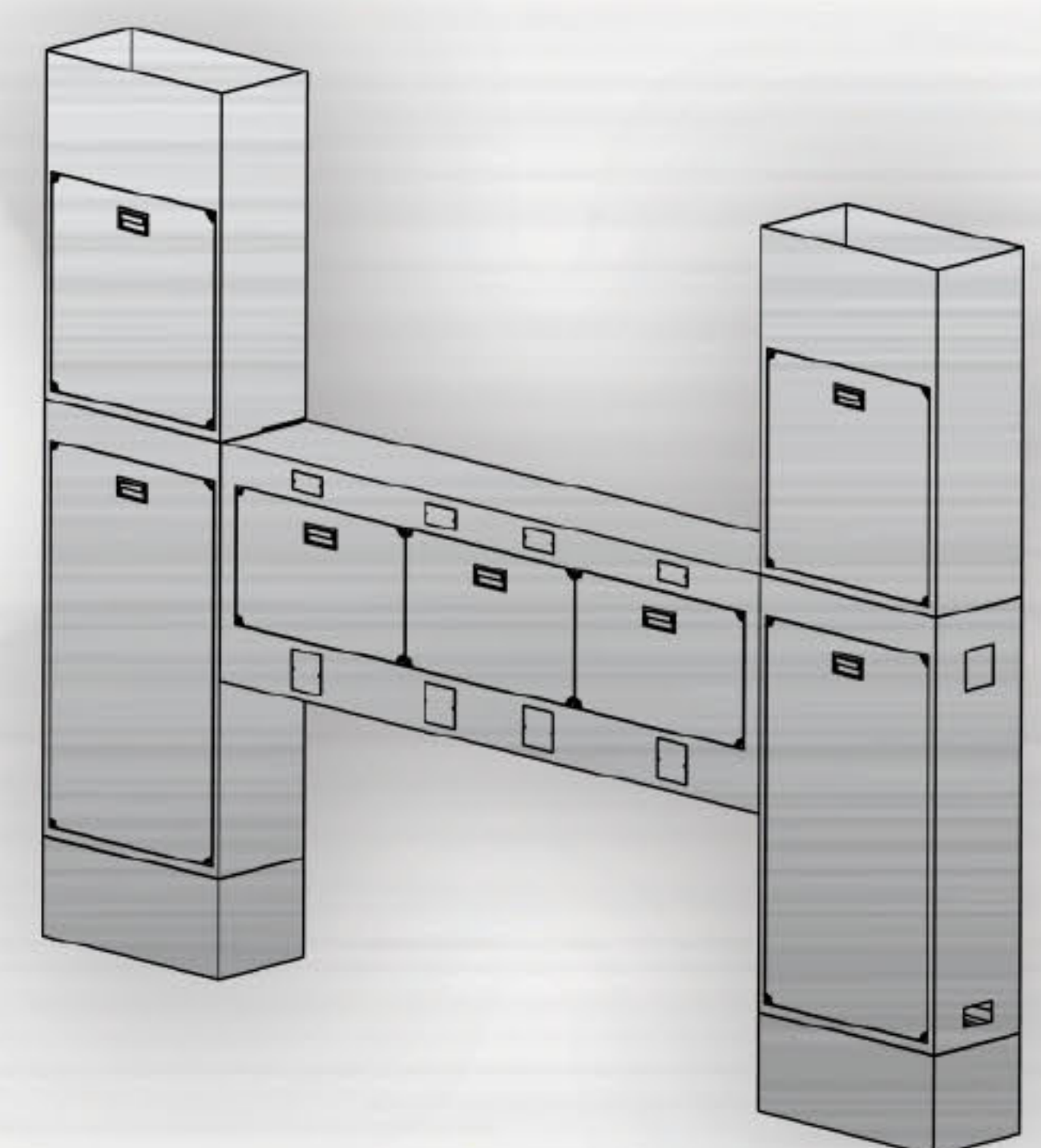
**ENCLOSURES**

The Ultimate Enclosures for  
the Protection of Hood and Duct  
Monitoring Equipment  
Patent Pending



**MONITORS**

The Ultimate in Hood and Duct  
Monitoring Controls



**UTILITY CABINET SYSTEMS**

The Ultimate in Modular  
Utility Cabinets

**STRIVING FOR EXCELLENCE**

1742 SABRE STREET | (888) 343-6464  
HAYWARD, CA 94545 | FAX: (510) 670-9055

[WWW.STREIVOR.COM](http://WWW.STREIVOR.COM)