

Vienna Display Cases



**RPI** INDUSTRIES, INC.

DISPLAY GASE



**VIENNA DISPLAY CASE SERIES**



***HOT, COLD, AND DRY FOOD MERCHANDISING  
OFFERING EXCEPTIONAL VISUAL APPEAL!***



***MODULAR SYSTEMS ALLOW TOTAL MERCHANDISING  
FLEXIBILITY!***

# Advantage



***MULTIPLE OPTIONS READILY AVAILABLE IN STRAIGHT AND CURVED RADIUS DISPLAY, FOR SINGLE, MULTI-DECK OR LINE-UP PRESENTATIONS!***



***UNITS CREATE AN ENDLESS WALL OF PRODUCT!***

**VIENNA DISPLAY CASE SERIES**

**5.**

**VIENNA FLEX SERIES**

Vienna Flex Series offers the ultimate design statement by offering a clip-on front and side panel system, giving that added sizzle to your display cases, without adding the additional costs of including a fabricated counter or die wall!

Flex can be added to all Vienna Series Air Screens, Cold Displays, Hot Closed Displays, or our New Vienna Cafe Series, Vienna Select Series or Vienna Pro Series!



**OUR UNIQUE MODULAR PANEL DESIGN IS AVAILABLE IN 3 PROFILES!**

**“FP” STYLE**



**FULL FRONT FASCIA PANEL**



**“HP” STYLE**



**HALF FRONT FASCIA PANEL**



**“HT” STYLE**



**HALF TAPERED FRONT FASCIA PANEL**

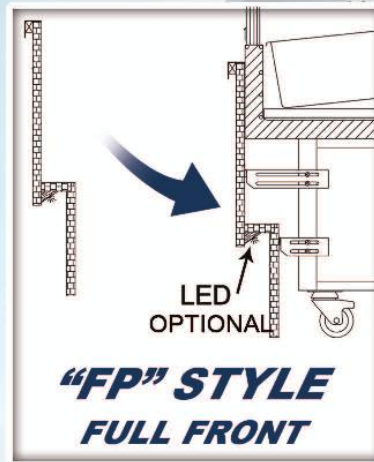
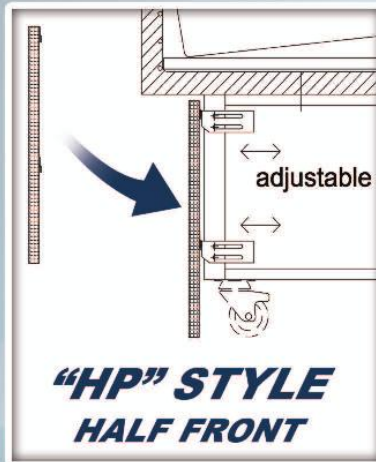
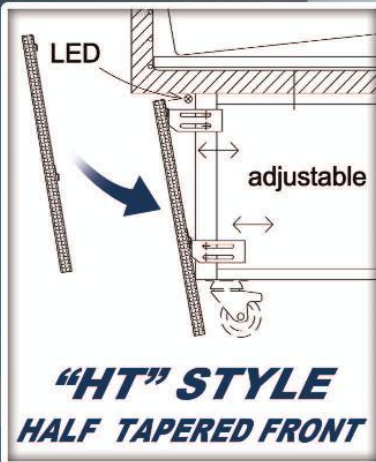


**6.**

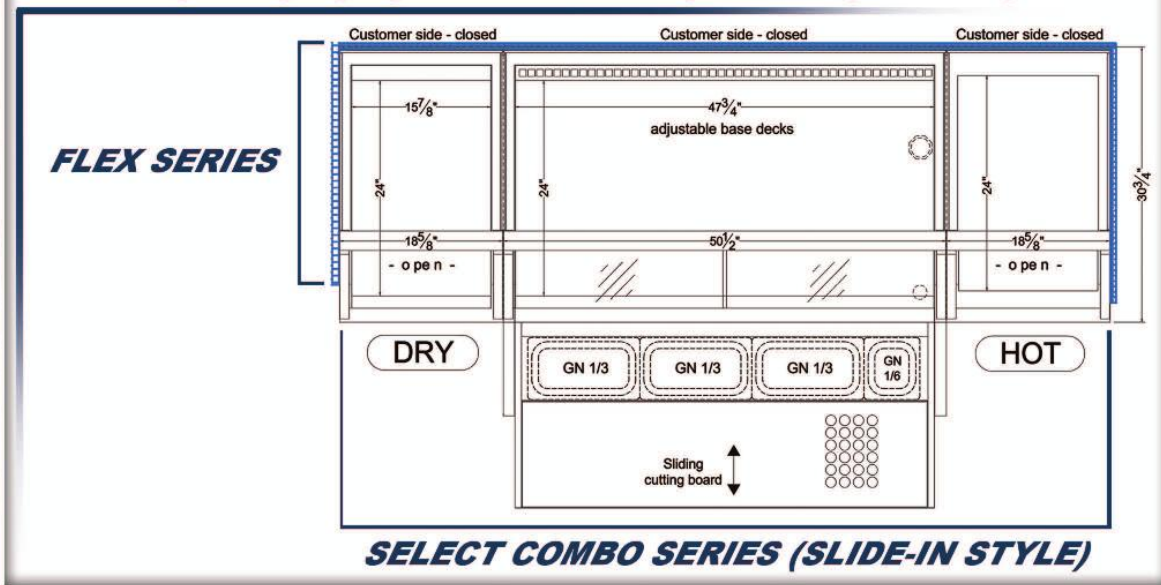
**FLEX OFFERS THE BEST DESIGN OPTIONS BY PRE-ENGINEERING A MODULAR FORMAT WITH THE “WOW” FACTOR OF CUSTOM!**

# Customized Advantage

**VIENNA FLEX SERIES**

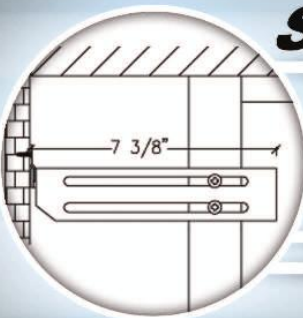


**PANELING ALLOWS FOR MAINTAINED SLIDE-IN STYLE MOBILITY!**



## **SPECIALIZED FASTENING!**

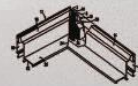
**SPECIALIZED "Z-CLIPS" ATTACH TO THE FRAMES OF THE UNITS, WHICH FASTENS YOUR CHOICE OF PANELING DIRECTLY TO THE UNIT!**



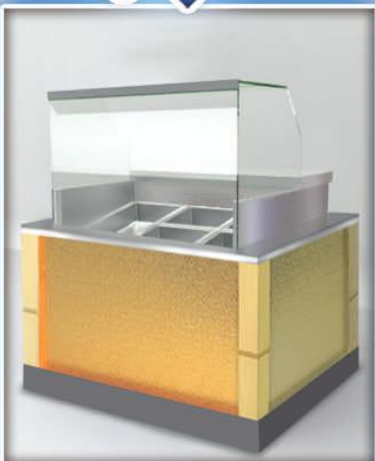
**FRONT & SIDE CLIPS AVAILABLE ONLY 7.**

**VIENNA FLEX SERIES EXTENDED**

***SPECIAL PANELING FEATURES***



**Integrations Style**  
***Adding Unique Flare!***



***Creating the illusion of a die-wall or modular counter construction!***



# Customized Advantage



***Visually Stunning Appearance!***

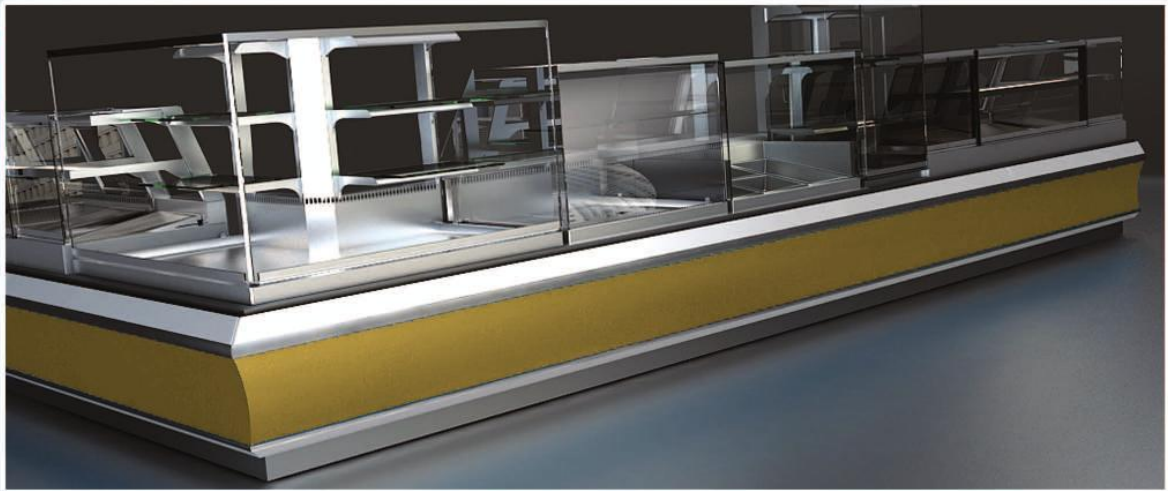


**VIENNA FLEX SERIES EXTENDED 9'**

**VIENNA FLEX SERIES SPECIALIZED**  
**10.**



*Making your footprint unique, and truly yours!*



# Customized Advantage



**SHOWN WITH INSULATED GLASS  
BLACK TRIM**

**SHOWN WITH INSULATED GLASS  
GRAY TRIM (OPTIONAL)**

**ALL INSTALLATIONS SHOWN WITH OPTIONAL  
FLEX SERIES PANEL SYSTEM**



**CONSULT FACTORY FOR ADDITIONAL INFORMATION**

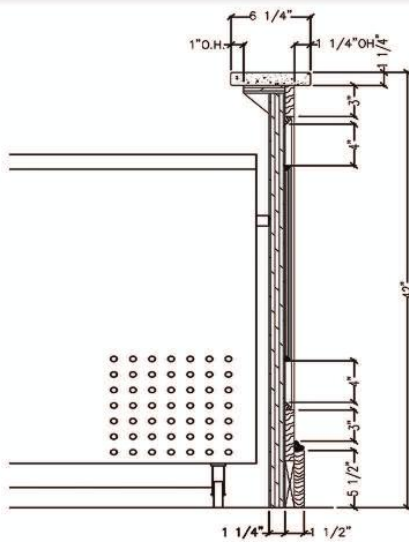
**VIENNA FLEX SERIES**

**11.**

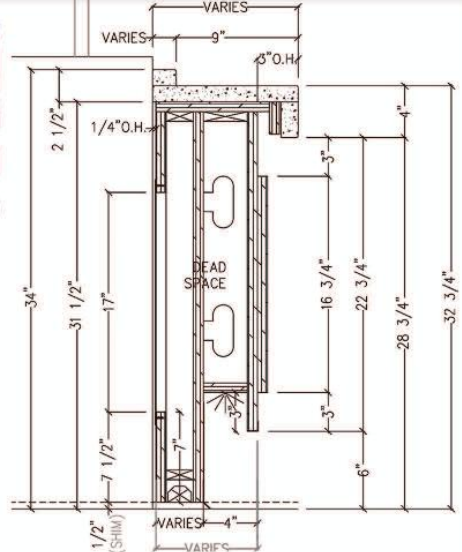
**VIENNA CUSTOM DIE-WALL PANELING 12.**



**STYLE 1**



**STYLE 2**



**ADDITIONAL STYLES AVAILABLE  
DIMENSIONS VARY BASED UPON DESIGNED STYLING**

**CONSULT FACTORY FOR ADDITIONAL INFORMATION**

# Customized Advantage



## ***VARIOUS INSTALLATIONS***



***CONSULT FACTORY FOR ADDITIONAL INFORMATION***

***VIENNA CUSTOM DIE-WALL PANELING 13.***

**VIENNA SLIDE-IN SERIES VICD MES**



**VICD2-20-R-SQ-SC MES**

**VICD-SQ MES**

The Vienna Series VICD-SQ MES is a very clean, very simple way to increase sales by utilizing a slide-in style refrigerated display, with a front counter. The unit features a rear slide-out drawer for easy access to product. Interior sides and rear of the unit come in a mirror-stainless finish. Unit comes standard with insulated glass and lift-up top glass.

**UNITS SHOWN WITH OPTIONAL CASTERS**

**NO FLOOR DRAIN REQUIRED**



**VICD3-20-R-SQ-SC MES**



**SIZES & SPECIAL FEATURES**

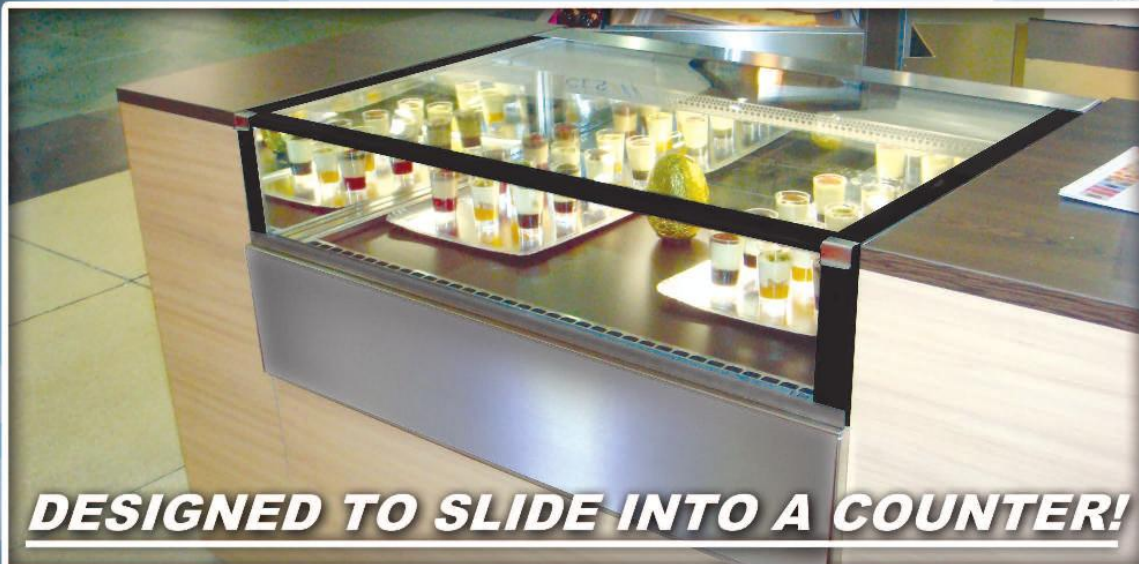
MODEL	L	D	H
VICD2-20-R-SQ-SC MES	36 1/4"	28 7/8"	30"
VICD3-20-R-SQ-SC MES	52 1/8"	28 7/8"	30"



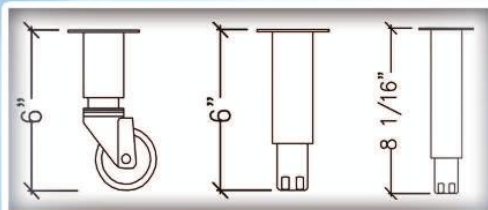
**UNIQUE REAR SLIDE-OUT ACCESS DRAWER**

# Customized Advantage

**VIENNA SLIDE-IN SERIES VICD MES**



**DESIGNED TO SLIDE INTO A COUNTER!**



STYLE #1    STYLE #2    STYLE #3

**OPTIONAL**



**LIFT-UP  
TOP GLASS**

# VIENNA ISLAND SERIES VI-IS



FLOOR DRAIN REQUIRED

## VI-IS

The Vienna Island Series VI-IS includes (3) different styles: Open-Air, Closed Cold Display and Closed Dry Display. These models can be purchased and used individually or in any combination of the 3. They each include a stainless steel exterior, (2) tempered glass shelves with lights, top canopy light, rear fold down work ledge and hinged rear doors. Units are available in straight or curved style. Combinations of the two styles can also be created to better suit customer requirements.

## CURVED MODULES



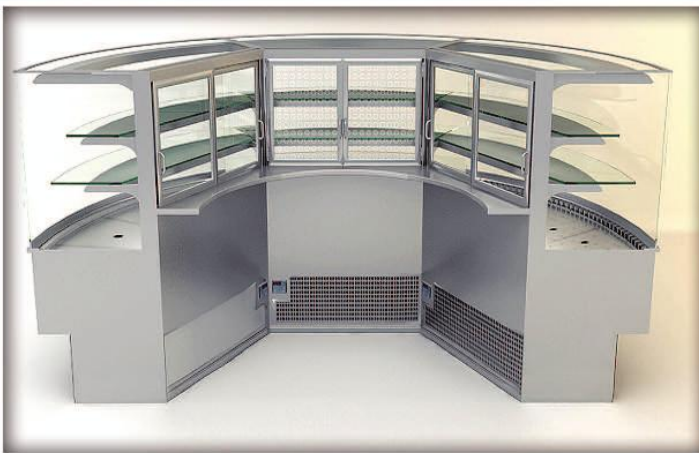
VIAS3-34-R-SQ-SC-IS WEDGE



VICD3-34-R-SQ-SC-IS WEDGE



VIDD3-34-R-SQ-IS WEDGE



WEDGE MODELS	L	D	H
VIAS3-34-R-SQ-SC-IS WEDGE	59 1/8"	28 1/2"	51 1/8"
VICD3-34-R-SQ-SC-IS WEDGE	59 1/8"	28 1/2"	51 1/8"
VIDD3-34-R-SQ-IS WEDGE	59 1/8"	28 1/2"	51 1/8"

16. **CUSTOMIZE UNITS TO YOUR ADVANTAGE!**



# STRAIGHT MODULES

STRAIGHT MODELS	L	D	H
VIAS2-34-R-SQ-SC-IS	31 1/8"	23 5/8"	51 1/8"
VIAS3-34-R-SQ-SC-IS	43 7/8"	23 5/8"	51 1/8"
VIAS4-34-R-SQ-SC-IS	56 3/4"	23 5/8"	51 1/8"
VICD2-34-R-SQ-SC-IS	31 1/8"	23 5/8"	51 1/8"
VICD3-34-R-SQ-SC-IS	43 7/8"	23 5/8"	51 1/8"
VICD4-34-R-SQ-SC-IS	56 3/4"	23 5/8"	51 1/8"
VIDD2-34-R-SQ-IS	31 1/8"	23 5/8"	51 1/8"
VIDD3-34-R-SQ-IS	43 7/8"	23 5/8"	51 1/8"
VIDD4-34-R-SQ-IS	56 3/4"	23 5/8"	51 1/8"



**NUMEROUS UNIT COMBINATIONS AVAILABLE!**



**CHOOSE YOUR OWN FLEX SERIES PANEL OPTION!**

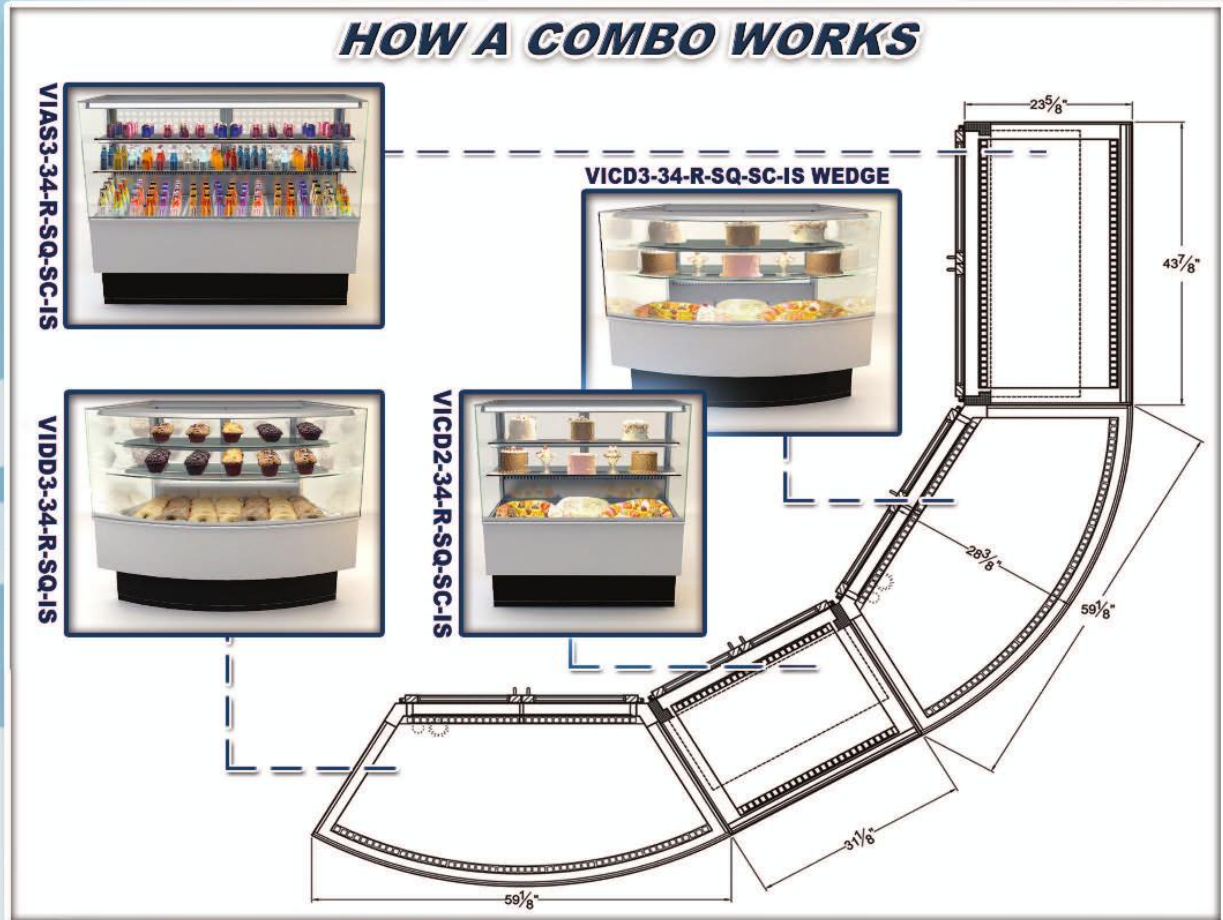


**VIENNA ISLAND SERIES VI-IS**

# Customized Advantage

**VIENNA ISLAND SERIES VI-IS**

## HOW A COMBO WORKS



**BEAUTIFY YOUR  
ISLAND DISPLAY!**

**18.**



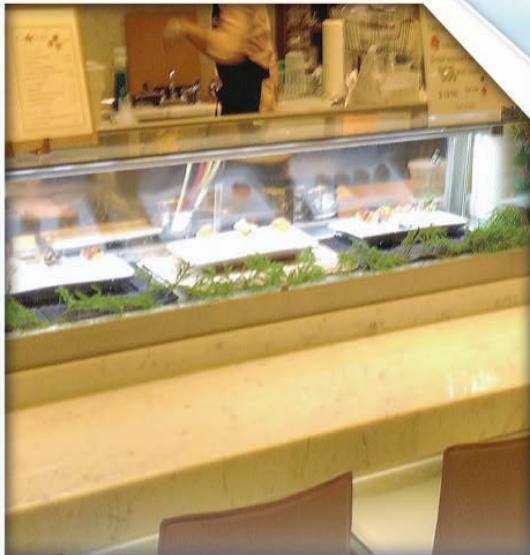
***VARIOUS INSTALLATIONS***



***CONSULT FACTORY FOR ADDITIONAL INFORMATION 19.***

***VIENNA ISLAND SERIES VI-IS***

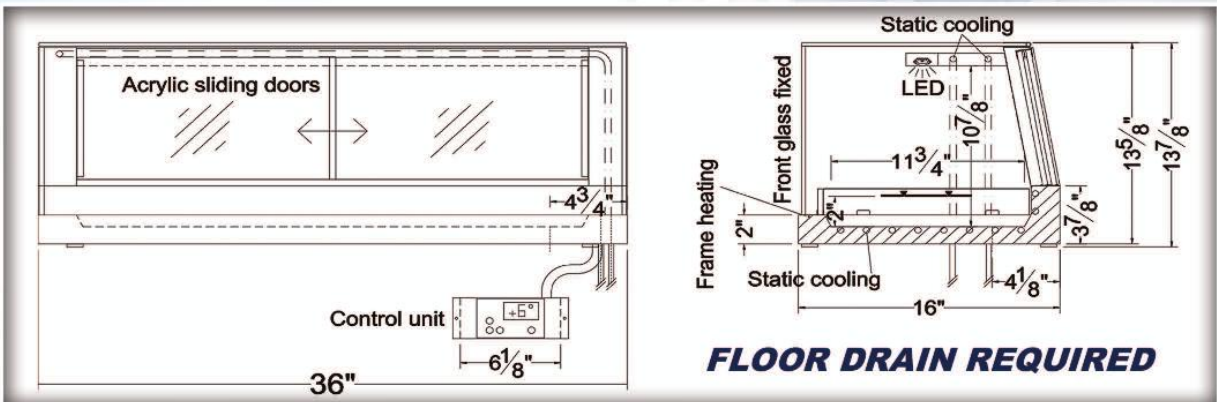
# VIENNA SERIES TAPAS PRESENTER



## VICC-60-R-RR T

The Vienna Series Tapas Presenter units are available as counter top units. This series creates several opportunities to integrate easily on top of a decorative counter and base. Units available in remote refrigeration.

MODEL	L	D	H
VICC-36-R-RR T	36"	16"	13 7/8"
VICC-48-R-RR T	48"	16"	13 7/8"
VICC-60-R-RR T	60"	16"	13 7/8"
VICC-72-R-RR T	72"	16"	13 7/8"



## SPECIAL FEATURES

- Display case, s/s with tempered panorama glass,
- Sliding doors on service side - acrylic glass
- Bottom with static cooling
- Lighting with LED
- Digital refrigeration controller
- Remote refrigeration, expansion valve R134a
- Connections on right hand side (from operator's view)
- Frame heating
- Air dam glasses inside



20.

**CONSULT FACTORY FOR ADDITIONAL INFORMATION**

# Customized Advantage



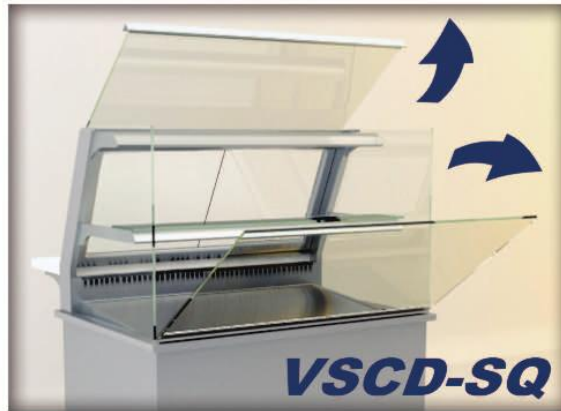
***VARIOUS INSTALLATIONS***



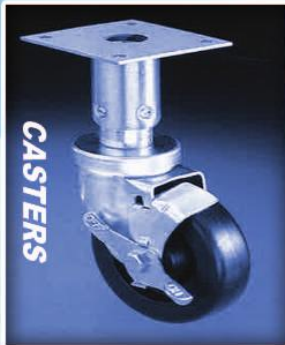
**VIENNA SERIES TAPAS PRESENTER 21.**



# Customized Advantage

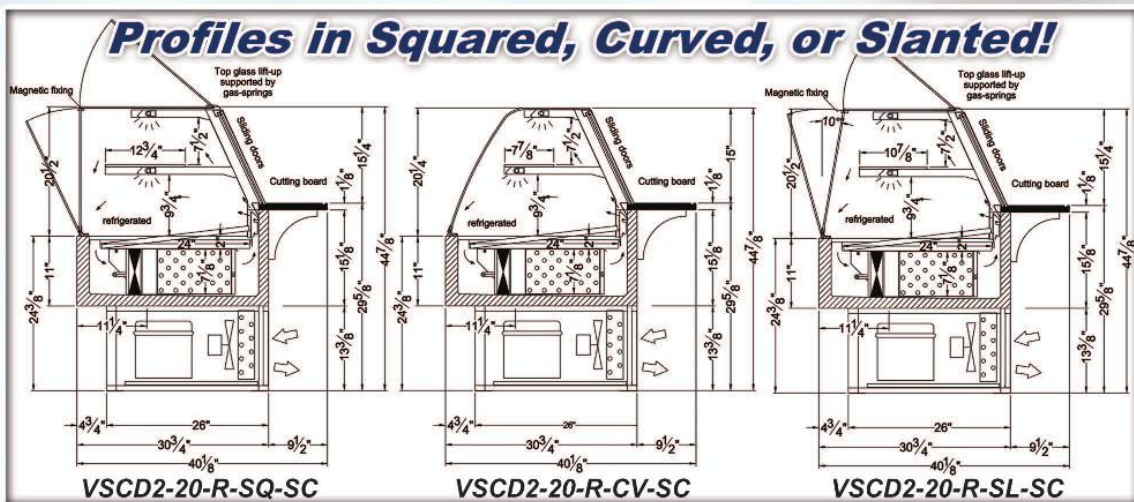


**TILT-OUT / LIFT-UP GLASS**  
 (AVAILABLE ON SQUARED AND SLANTED UNITS ONLY)



**▲ OPTIONAL ▲**

**ADJUSTABLE DECK PAN TO  
 CONVERT TO SLANTED DISPLAY**



**VIENNA SELECT GOLD SERIES VSCD**

**CONSULT FACTORY FOR ADDITIONAL INFORMATION 23.**

**VIENNA SELECT HOT SERIES VSHD**

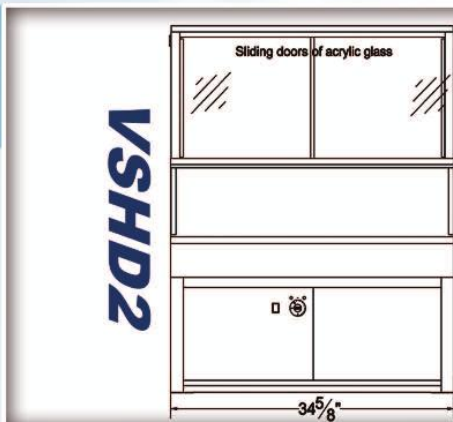
**VSHD**



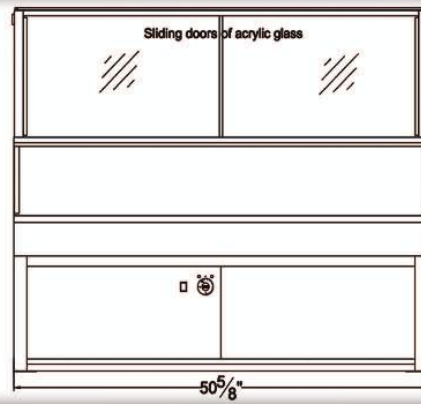
The Vienna Series VSHD is a slide-in hot display in our Vienna Select Series. Designed to slide into a counter with front stainless steel panel exposed. This merchandiser includes glass top that tilts up using gas-springs for support and tilt-out front glass for easy cleaning. It also features stainless steel exterior, top light and infrared heater and sliding rear doors.

MODEL	L	D*	H
VSHD2-20-R	34 5/8"	40 1/8"	42 1/2"
VSHD3-20-R	50 5/8"	40 1/8"	42 1/2"

*\* Depth includes rear cutting board. Cutting board can be removed, to fit through entrance, and be reinstalled once in place.*



**VSHD2**



**VSHD3**

**SPECIAL FEATURES**



**Flex Series Paneling Options**

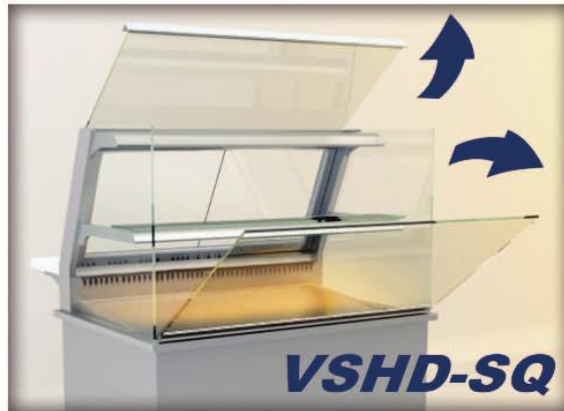


**"FP" STYLE "HP" STYLE "HT" STYLE**

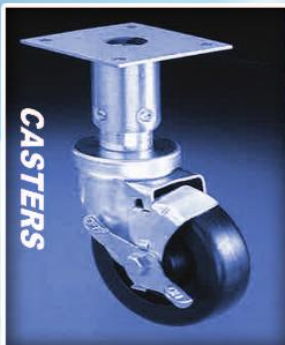
**24 REAR SLIDING ACCESS DOORS**



# Advantage

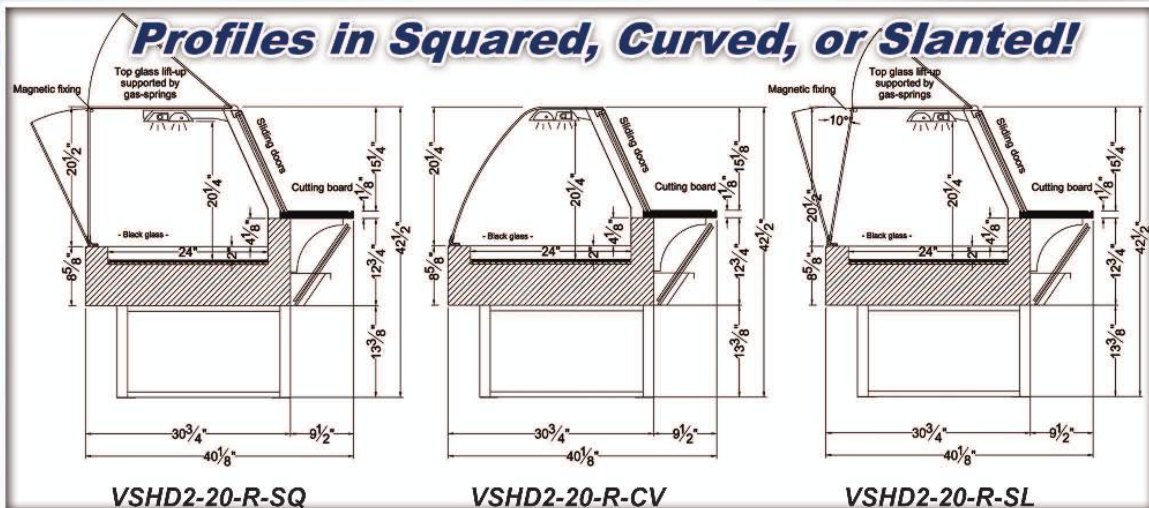


**TILT-OUT / LIFT-UP GLASS**  
 (AVAILABLE ON SQUARED AND SLANTED UNITS ONLY)



*Adjustable Infrared Heating Lamp & Shelf*

**▲ OPTIONAL ▲**



**CONSULT FACTORY FOR ADDITIONAL INFORMATION**

**VIENNA SELECT HOT SERIES VSHD**

**25.**

**VIENNA SELECT DUAL SERIES VSHC**

**VSHC**



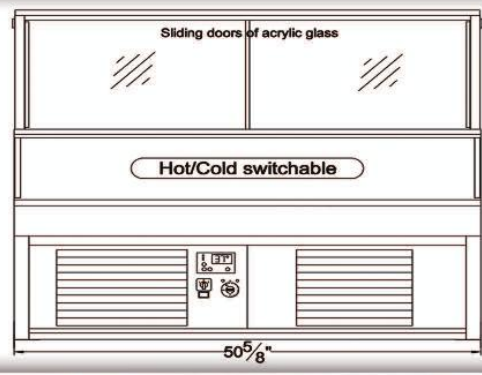
The Vienna Series VSHC is a slide-in merchandiser in our Vienna Select Series that features the switchable option of either refrigerated or hot display. Designed to slide into a counter with the front stainless steel panel exposed. This merchandiser includes glass top that tilts up using gas-springs for support and tilt-out front glass for easy cleaning. It also features stainless steel exterior, top light and infrared heater, heating plate and sliding rear doors.

MODEL	L	D*	H
VSHC2-20-R-SC	34 5/8"	40 1/8"	42 1/2"
VSHC3-20-R-SC	50 5/8"	40 1/8"	42 1/2"

\* Depth includes rear cutting board. Cutting board can be removed, to fit through entrance, and be reinstalled once in place.



**VSHC2**



**VSHC3**

**SPECIAL FEATURES FLOOR DRAIN REQUIRED**



**Dual Temperature Line-Up**

**Flex Series Paneling Options**

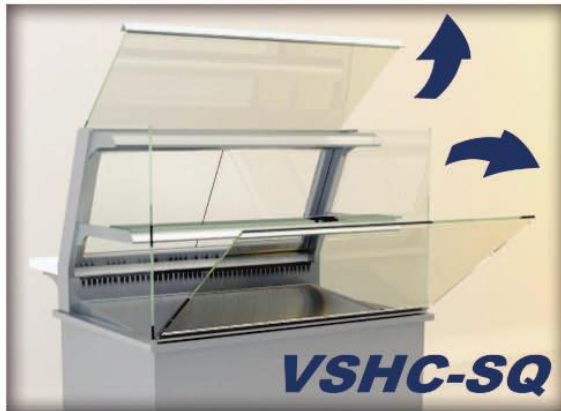


**"FP" STYLE "HP" STYLE "HT" STYLE**

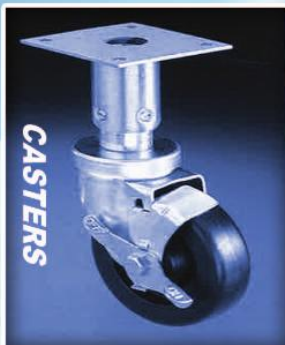
**26.**

**Rear Air Breathing Units Shown**

# Advantage



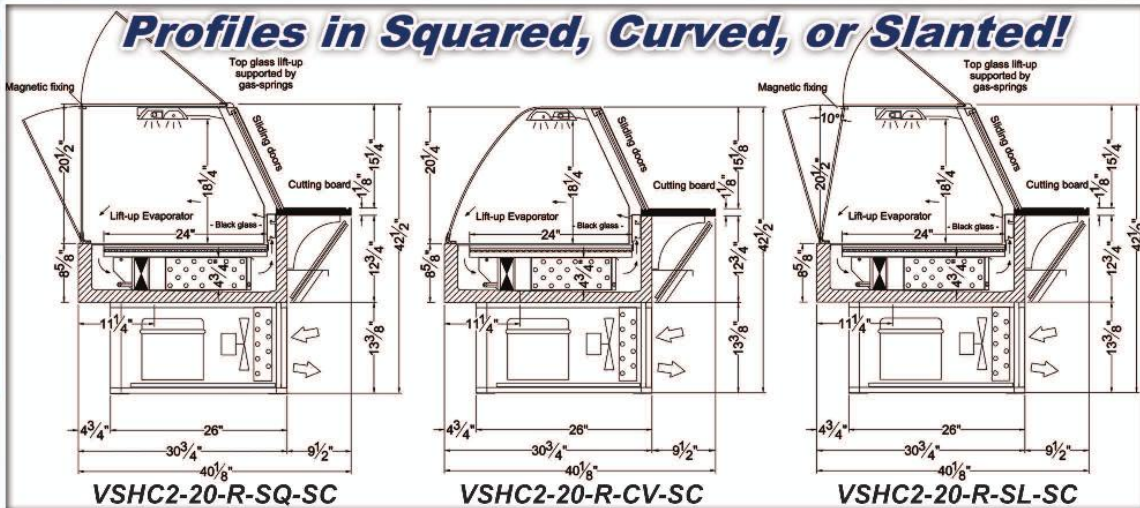
**TILT-OUT / LIFT-UP GLASS**  
 (AVAILABLE ON SQUARED AND SLANTED UNITS ONLY)



**▲ OPTIONAL ▲**

**REAR SLIDING ACCESS DOORS**

**Profiles in Squared, Curved, or Slanted!**



**CONSULT FACTORY FOR ADDITIONAL INFORMATION**

**VIENNA SELECT DUAL SERIES VSHC**

**27.**

**VIENNA SELECT COLD SERIES VSCD**



***MODULAR MILLWORK COUNTERS***



**28. UNITS SHOWN WITH NON-INSULATED GLASS**



## ***VARIOUS INSTALLATIONS***



***CONSULT FACTORY FOR ADDITIONAL INFORMATION***

***VIENNA SELECT DUAL & HOT SERIES VSHC, VSHD 29.***

# VIENNA SELECT HOT SNACK LINE SERIES VSHD-SQ



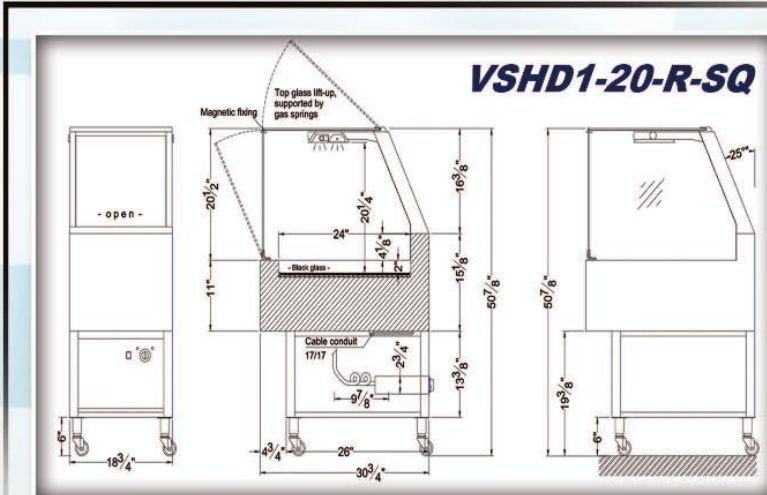
## UNITS SHOWN WITH OPTIONAL FLEX SERIES PANEL SYSTEM

The Vienna Series VSHD-SQ Hot Snack Line is a slide-in hot display in our Vienna Select Series. Designed to slide into a counter with front stainless steel panel exposed. The merchandiser includes a glass top that tilts up using gas-springs for support and tilt-out front glass for easy cleaning. It also features stainless steel exterior, top canopy light and infrared heater. Can complete a dual temperature line-up next to our Vienna Select Series Cold Combo and Dry Snack Line cases.

**COMPLETE A DUAL TEMPERATURE LINE UP NEXT TO OUR VIENNA SELECT SERIES COLD COMBO & DRY SNACK LINE CASES!**

MODEL	L	D	H
VSHD1-20-R-SQ	18 3/4	30 3/4	50 7/8

## SPECIAL FEATURES



**30. LIFT-UP TOP / TILT-OUT FRONT GLASS**

**ADJUSTABLE CASTERS**

# VIENNA SELECT DRY SNACK LINE SERIES VSDD-SQ



## UNITS SHOWN WITH OPTIONAL FLEX SERIES PANEL SYSTEM

The Vienna Series VSDD-SQ Dry Snack Line is a slide-in dry display in our Vienna Select Series. Designed to slide into a counter with front stainless steel panel exposed. The merchandiser includes a glass top that tilts up using gas-springs for support and tilt-out front glass for easy cleaning. It also features stainless steel exterior, top canopy light, (1) fixed ambient glass shelf and an adjustable deck pan for slanted product display.

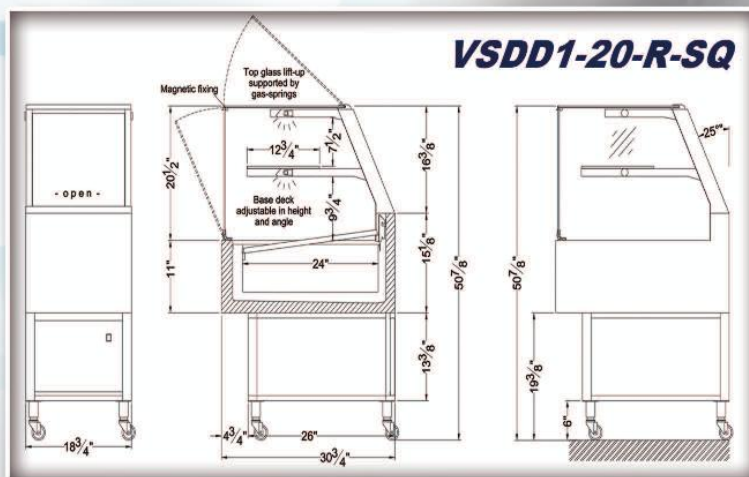
MODEL	L	D	H
VSDD1-20-R-SQ	18 3/4	30 3/4	50 7/8

COMPLETE A DUAL TEMPERATURE LINE UP NEXT TO OUR VIENNA SELECT SERIES COLD COMBO & DRY SNACK LINE CASES!

## SPECIAL FEATURES



ADJUSTABLE CASTERS



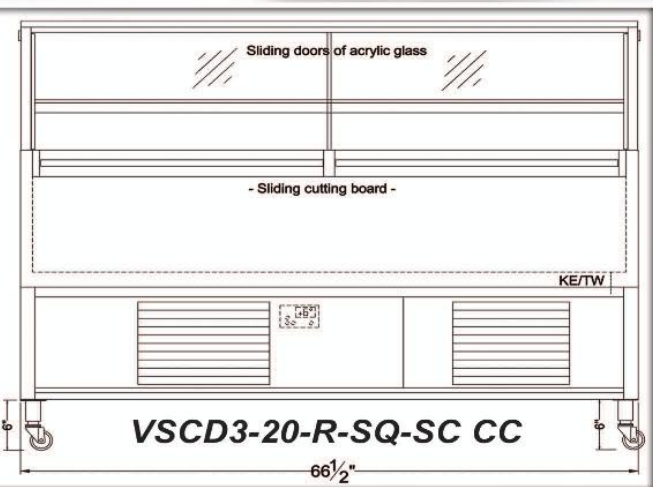
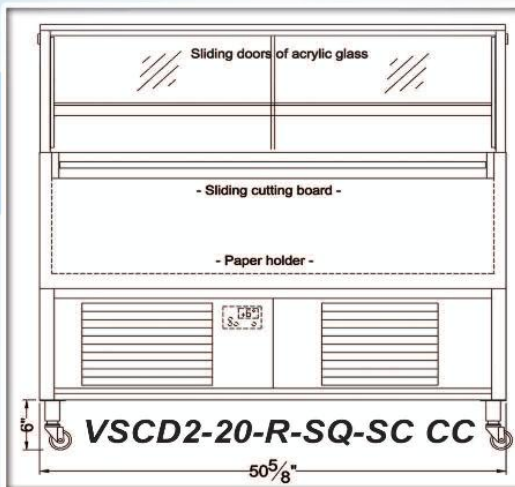
LIFT-UP TOP / TILT-OUT FRONT GLASS

**VIENNA SELECT COLD COMBO SERIES VSCD-SQ**



The Vienna Series VSCD-SQ Cold Combo is a slide-in cold display in our Vienna Select Series. Designed to slide into a counter with front stainless steel panel exposed. Unit comes standard with insulated glass front and side panels, and a tempered glass top that tilts up using gas-springs for support for easy cleaning. It also features stainless steel exterior, top canopy light, (1) fixed refrigerated glass shelf and sliding rear access doors. The rear houses an area for cold pans and includes a sliding utility board. Can complete a dual temperature line-up next to our Vienna Select Series Hot and Dry Snack Line cases.

**VSCD-SQ CC SQUARED GLASS**

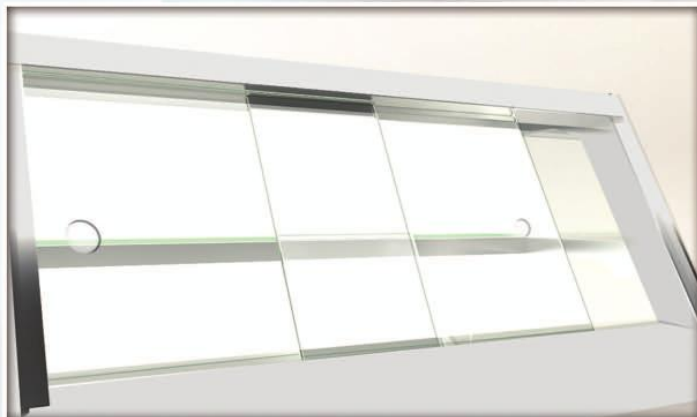


**SIZES & SPECIAL FEATURES FLOOR DRAIN REQUIRED**

**\* DEPTH INCLUDES REAR CUTTING BOARD**

MODEL	L	D"	H
VSCD2-20-R-SQ CC	50 5/8"	42 1/2"	50 7/8"
VSCD3-20-R-SQ CC	66 1/2"	42 1/2"	50 7/8"

**Rear Air Breathing Units Shown**



**REAR SLIDING ACCESS DOORS**





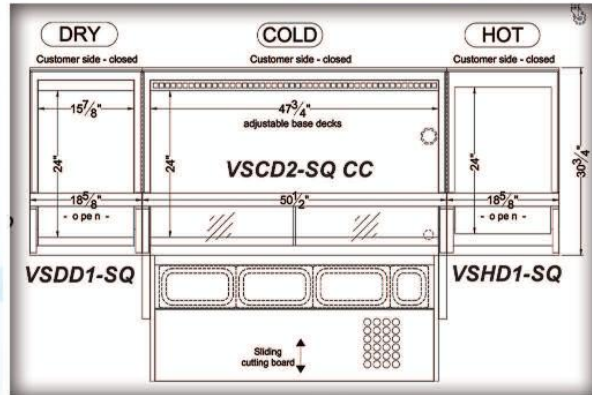
# Advantage

**VIENNA SELECT COMBO SERIES**

**Insulated glass available with black or gray trim!**



**SNACK LINE COMBO DISPLAY!**



**CREATE THE PERFECT COMBO  
FOR YOUR MERCHANDISING NEEDS**

**(UNITS SHOW WITH FLEX SERIES "FP" PANELING OPTION)**

**34. CONSULT FACTORY FOR ADDITIONAL INFORMATION**

# Various Installations



**VIENNA SELECT COMBO SERIES**

# VIENNA PRO SERIES

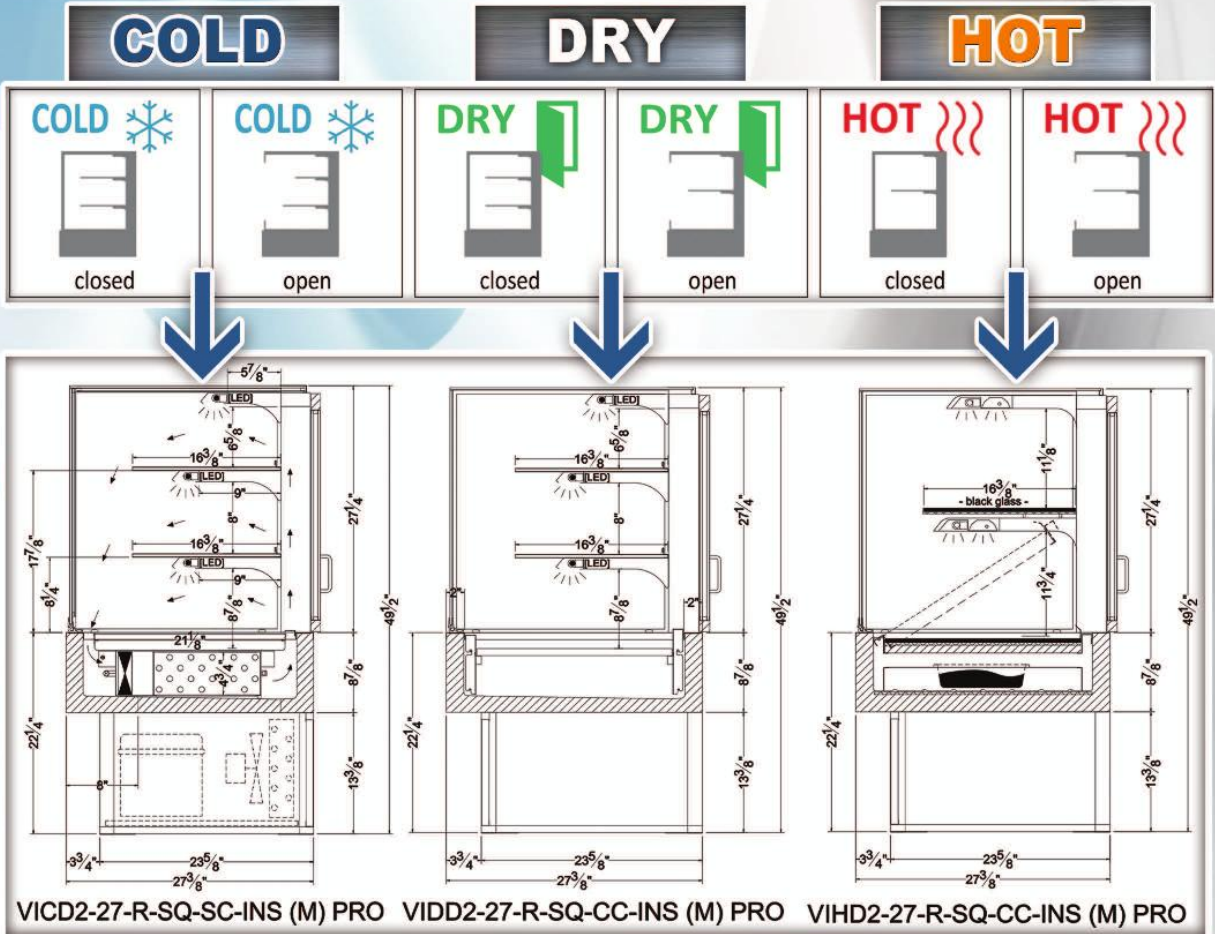


## VICD, VIAS, VIDD, VIHD "PRO"

The Vienna PRO Series offers modular formats in refrigerated, non-refrigerated and hot display in multiple arrays of configurations that can be tied together, offering a "continuous display case" look with customized appeal. All of this at a tremendous value-engineered price

ADD THE FLEX SERIES DECORATIVE PANELING TO COMPLETE THE ULTIMATE DESIGN WHILE UTILIZING STANDARD MODULAR UNITS!

SHOWN WITH "FP" STYLE FLEX PANELING OPTION



36. CONSULT FACTORY FOR ADDITIONAL INFORMATION

# HOW TO DESIGN A LINE-UP

Select a Series, Length and Glass Profile

## COLD

### SQUARED

MODEL	L	D	H*
VICD2-27-R-SQ-SC-INS PRO	31 1/8	27 3/8	27 1/4
VICD3-27-R-SQ-SC-INS PRO	43 7/8	27 3/8	27 1/4

CLOSED

MODEL	L	D	H*
VIAS2-27-R-SQ-SC-INS PRO	31 1/8	27 3/8	27 1/4
VIAS3-27-R-SQ-SC-INS PRO	43 7/8	27 3/8	27 1/4

OPEN

## HOT

### SQUARED

MODEL	L	D	H*
VIHD2-27-R-SQ-CC-INS PRO	31 1/8	27 3/8	27 1/4
VIHD3-27-R-SQ-CC-INS PRO	43 7/8	27 3/8	27 1/4

CLOSED

MODEL	L	D	H*
VIHD2-27-R-SQ-CO-INS PRO	31 1/8	27 3/8	27 1/4
VIHD3-27-R-SQ-CO-INS PRO	43 7/8	27 3/8	27 1/4

OPEN

### SLANTED MODELS

MODEL	L	D	H*
VICD2-27-R-SL-SC-INS PRO	31 1/8	27 3/8	27 1/4
VICD3-27-R-SL-SC-INS PRO	43 7/8	27 3/8	27 1/4

CLOSED

MODEL	L	D	H*
VIAS2-27-R-SL-SC-INS PRO	31 1/8	27 3/8	27 1/4
VIAS3-27-R-SL-SC-INS PRO	43 7/8	27 3/8	27 1/4

OPEN

### SLANTED MODELS

MODEL	L	D	H*
VIHD2-27-R-SL-CC-INS PRO	31 1/8	27 3/8	27 1/4
VIHD3-27-R-SL-CC-INS PRO	43 7/8	27 3/8	27 1/4

CLOSED

MODEL	L	D	H*
VIHD2-27-R-SL-CO-INS PRO	31 1/8	27 3/8	27 1/4
VIHD3-27-R-SL-CO-INS PRO	43 7/8	27 3/8	27 1/4

OPEN

## DRY

### SQUARED

MODEL	L	D	H*
VIDD2-27-R-SQ-CC-INS PRO	31 1/8	27 3/8	27 1/4
VIDD3-27-R-SQ-CC-INS PRO	43 7/8	27 3/8	27 1/4

CLOSED

MODEL	L	D	H*
VIDD2-27-R-SQ-CO-INS PRO	31 1/8	27 3/8	27 1/4
VIDD3-27-R-SQ-CO-INS PRO	43 7/8	27 3/8	27 1/4

OPEN

### SLANTED MODELS

MODEL	L	D	H*
VIDD2-27-R-SL-CC-INS PRO	31 1/8	27 3/8	27 1/4
VIDD3-27-R-SL-CC-INS PRO	43 7/8	27 3/8	27 1/4

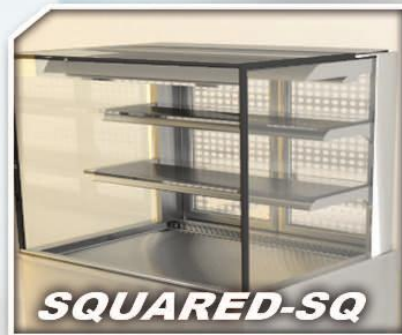
CLOSED

MODEL	L	D	H*
VIDD2-27-R-SL-CO-INS PRO	31 1/8	27 3/8	27 1/4
VIDD3-27-R-SL-CO-INS PRO	43 7/8	27 3/8	27 1/4

OPEN



SLANTED-SL



SQUARED-SQ

Available Glass Profiles

VIENNA PRO SERIES

\* REPRESENTS HEIGHT ABOVE COUNTER

Consult factory for curved glass options

37.

**VIENNA PRO SERIES**



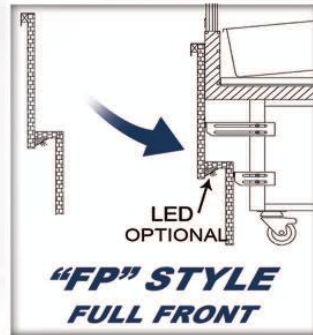
***VARIOUS INSTALLATIONS***



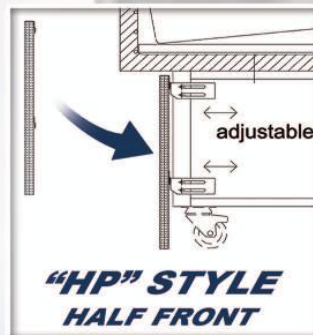
# HOW TO DESIGN A LINE-UP

Choose your Flex Series Paneling & Styling

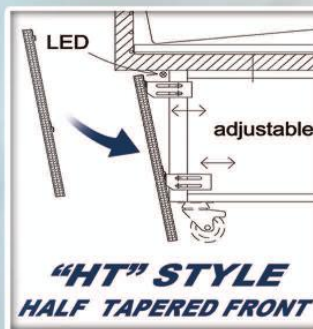
## FULL FRONT FASCIA PANEL



## HALF FRONT FASCIA PANEL



## HALF TAPERED FRONT FASCIA PANEL

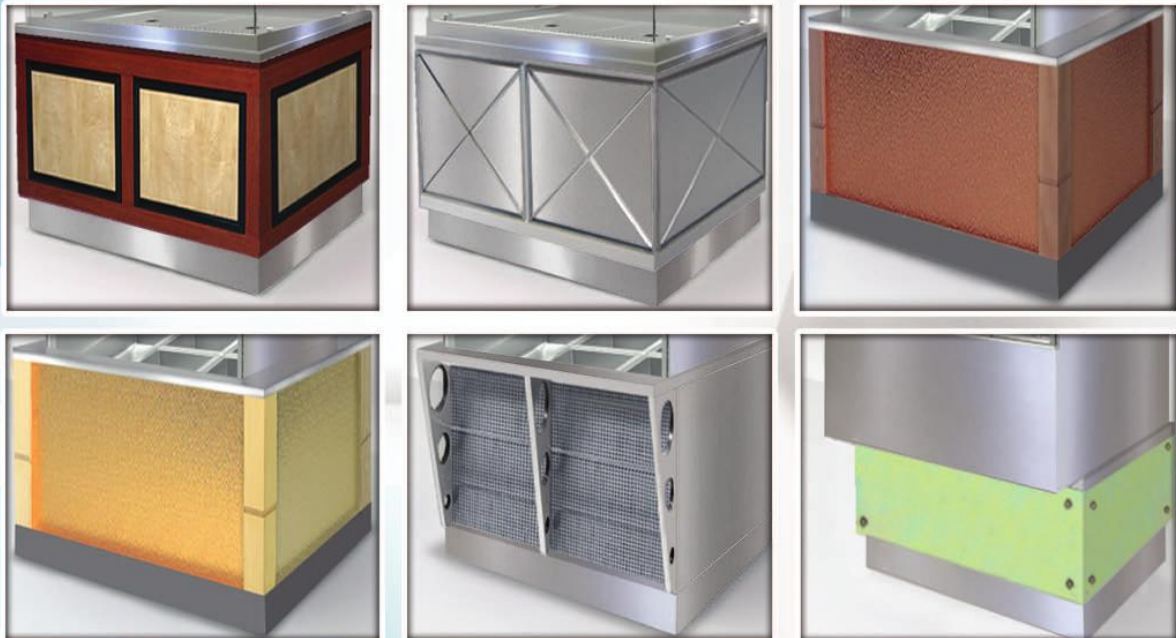


**VIENNA PRO SERIES**

**RPI** INDUSTRIES, INC.

***Flex Integrations Style is also available!***

**VIENNA PRO SERIES**



***FULLY MATCHING SERVING COUNTERS AVAILABLE TO TIE-IN AND MATCH INTEGRATIONS FLEX SERIES STYLING!***



**40. CONSULT FACTORY FOR ADDITIONAL INFORMATION**



# HOW TO DESIGN A LINE-UP

Mix and Match, and your "PRO" Series is Complete!



**SLANTED GLASS**



**SQUARED GLASS**

**VIENNA PRO SERIES**

**VIENNA COLD DISPLAY SERIES VICD INS**

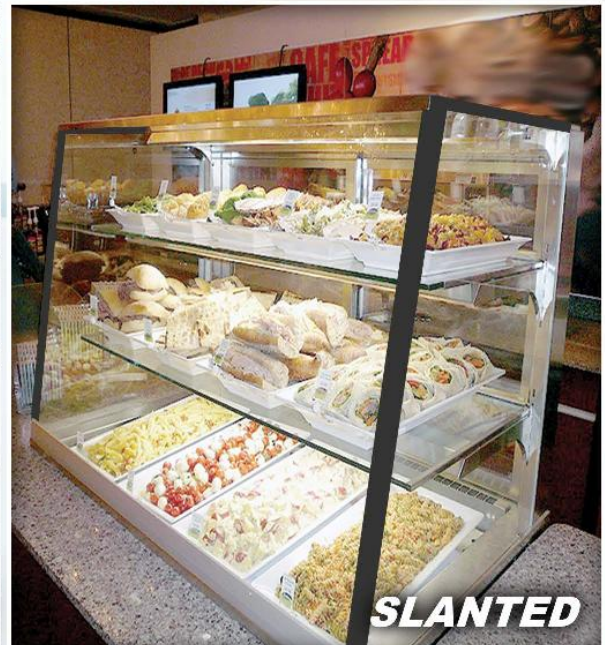


***CURVED***

***VARIOUS INSTALLATIONS***



***SQUARED***



***SLANTED***

**42. CONSULT FACTORY FOR ADDITIONAL INFORMATION**

## VICD-CV INS CURVED GLASS

The Vienna Series VICD-CV INS Slide-in or Drop-in is a full-service refrigerated display merchandiser, featuring a curved glass profile with insulated glass front, top and side panels. Unit is available in choice of two heights with hinged rear see-through access doors. When being used as a "slide-in" please advise if counter height is 34" or 36". Optional 6" or 8" stainless steel adjustable legs or casters are available for slide-in style models.

MODEL	L	D	H
VICD2-20-R-CV-SC INS	31 1/2"	27 3/8"	21 1/4"
VICD3-20-R-CV-SC INS	44 3/8"	27 3/8"	21 1/4"
VICD4-20-R-CV-SC INS	57 1/8"	27 3/8"	21 1/4"
VICD2-27-R-CV-SC INS	31 1/2"	27 3/8"	28"
VICD3-27-R-CV-SC INS	44 3/8"	27 3/8"	28"
VICD4-27-R-CV-SC INS	57 1/8"	27 3/8"	28"



**FLOOR DRAIN REQUIRED**

**Rear Air Breathing  
Units Shown**

## SPECIAL FEATURES

### Flex Series Paneling Options



**"FP" STYLE**



**"HP" STYLE**



**"HT" STYLE**

**CONSULT FACTORY FOR ADDITIONAL INFORMATION**

**43.**

**VIENNA COLD DISPLAY SERIES VICD-CV INS**

**VIENNA COLD DISPLAY SERIES VICD-SL INS**



**VICD-SL INS SLANTED GLASS**

The Vienna Series VICD-SL INS Slide-in or Drop-in is a full-service refrigerated display merchandiser, featuring a slanted glass profile with insulated glass front, top and side panels. Unit is available in choice of two heights with hinged rear see-through access doors. When being used as a "slide-in" please advise if counter height is 34" or 36". Optional 6" or 8" stainless steel adjustable legs or casters are available for slide-in style models.

MODEL	L	D	H
VICD2-20-R-SL-SC INS	31 1/2"	27 3/8"	21 1/4"
VICD3-20-R-SL-SC INS	44 3/8"	27 3/8"	21 1/4"
VICD4-20-R-SL-SC INS	57 1/8"	27 3/8"	21 1/4"
VICD2-27-R-SL-SC INS	31 1/2"	27 3/8"	28"
VICD3-27-R-SL-SC INS	44 3/8"	27 3/8"	28"
VICD4-27-R-SL-SC INS	57 1/8"	27 3/8"	28"
VICD2-34-R-SL-SC INS	31 1/2"	27 3/8"	34 5/8"
VICD3-34-R-SL-SC INS	44 3/8"	27 3/8"	34 5/8"
VICD4-34-R-SL-SC INS	57 1/8"	27 3/8"	34 5/8"

**FLOOR DRAIN REQUIRED**

**Rear Air Breathing Units Shown**

**SPECIAL FEATURES**

**Flex Series Paneling Options**



**"FP" STYLE "HP" STYLE "HT" STYLE**

**44. CONSULT FACTORY FOR ADDITIONAL INFORMATION**

## VICD-SQ INS SQUARED GLASS

The Vienna Series VICD-SQ INS Slide-in or Drop-in is a full-service refrigerated display merchandiser, featuring a squared glass profile with insulated glass front, top and side panels. Unit is available in choice of two heights with hinged rear see-through access doors. When being used as a "slide-in" please advise if counter height is 34" or 36". Optional 6" or 8" stainless steel adjustable legs or casters are available for slide-in style models.

MODEL	L	D	H
VICD2-20-R-SQ-SC INS	31 1/2"	27 3/8"	21 1/4"
VICD3-20-R-SQ-SC INS	44 3/8"	27 3/8"	21 1/4"
VICD4-20-R-SQ-SC INS	57 1/8"	27 3/8"	21 1/4"
VICD2-27-R-SQ-SC INS	31 1/2"	27 3/8"	28"
VICD3-27-R-SQ-SC INS	44 3/8"	27 3/8"	28"
VICD4-27-R-SQ-SC INS	57 1/8"	27 3/8"	28"
VICD2-34-R-SQ-SC INS	31 1/2"	27 3/8"	34 5/8"
VICD3-34-R-SQ-SC INS	44 3/8"	27 3/8"	34 5/8"
VICD4-34-R-SQ-SC INS	57 1/8"	27 3/8"	34 5/8"



**FLOOR DRAIN REQUIRED**

**Rear Air Breathing  
Units Shown**

## SPECIAL FEATURES

### Flex Series Paneling Options



**"FP" STYLE**



**"HP" STYLE**



**"HT" STYLE**

**CONSULT FACTORY FOR ADDITIONAL INFORMATION 45.**

**VIENNA COLD DISPLAY SERIES VICD-SL INS**

**VIENNA FLIP-UP DOORS SERIES**



## ***VARIOUS INSTALLATIONS***



**46. CONSULT FACTORY FOR ADDITIONAL INFORMATION**

**VICD-CV FD CURVED GLASS  
with FLIP-UP DOORS**

The Vienna Series VICD-CV FD Slide-in or Drop-in is a refrigerated display merchandiser, featuring insulated glass top, side panels and curved front profile with "flip-up" compartment access doors for self-serve application. Unit is available in choice of three heights with hinged rear see-through access doors. When being used as a "slide-in" please advise if counter height is 34" or 36". Optional 6" or 8" stainless steel adjustable legs or casters are available for slide-in style models.



MODEL	L	D	H
VICD2-20-R-CV-SC FD	31 1/2"	27 3/8"	21 1/4"
VICD3-20-R-CV-SC FD	44 3/8"	27 3/8"	21 1/4"
VICD4-20-R-CV-SC FD	57 1/8"	27 3/8"	21 1/4"
VICD2-27-R-CV-SC FD	31 1/2"	27 3/8"	28"
VICD3-27-R-CV-SC FD	44 3/8"	27 3/8"	28"
VICD4-27-R-CV-SC FD	57 1/8"	27 3/8"	28"
VICD2-34-R-CV-SC FD	31 1/2"	27 3/8"	34 5/8"
VICD3-34-R-CV-SC FD	44 3/8"	27 3/8"	34 5/8"
VICD4-34-R-CV-SC FD	57 1/8"	27 3/8"	34 5/8"

**FLOOR DRAIN REQUIRED**

**Rear Air Breathing  
Units Shown**

**SPECIAL FEATURES**

**Flex Series Paneling Options**



**"FP" STYLE**



**"HP" STYLE**



**"HT" STYLE**

**CONSULT FACTORY FOR ADDITIONAL INFORMATION 47.**

**VIENNA FLIP-UP DOORS SERIES VICD-CV FD**

**VIENNA FLIP-UP DOORS SERIES VICD-SL FD**

**VICD-SL FD SLANTED GLASS  
with FLIP-UP DOORS**



The Vienna Series VICD-SL FD Slide-in or Drop-in is a refrigerated display merchandiser, featuring insulated glass top, side panels and slanted front profile with "flip-up" compartment access doors for self-serve application. Unit is available in choice of three heights with hinged rear see-through access doors. When being used as a "slide-in" please advise if counter height is 34" or 36". Optional 6" or 8" stainless steel adjustable legs or casters are available for slide-in style models.

**FLOOR DRAIN REQUIRED**

**Rear Air Breathing  
Units Shown**

MODEL	L	D	H
VICD2-20-R-SL-SC FD	31 1/2"	27 3/8"	21 1/4"
VICD3-20-R-SL-SC FD	44 3/8"	27 3/8"	21 1/4"
VICD4-20-R-SL-SC FD	57 1/8"	27 3/8"	21 1/4"
VICD2-27-R-SL-SC FD	31 1/2"	27 3/8"	28"
VICD3-27-R-SL-SC FD	44 3/8"	27 3/8"	28"
VICD4-27-R-SL-SC FD	57 1/8"	27 3/8"	28"
VICD2-34-R-SL-SC FD	31 1/2"	27 3/8"	34 5/8"
VICD3-34-R-SL-SC FD	44 3/8"	27 3/8"	34 5/8"
VICD4-34-R-SL-SC FD	57 1/8"	27 3/8"	34 5/8"

**SPECIAL FEATURES**

**Flex Series Paneling Options**



**"FP" STYLE "HP" STYLE "HT" STYLE**

**48. CONSULT FACTORY FOR ADDITIONAL INFORMATION**



**VICD-SQ FD SQUARED GLASS  
with FLIP-UP DOORS**

The Vienna Series VICD-SQ FD Slide-in or Drop-in is a refrigerated display merchandiser, featuring insulated glass top, side panels and squared front profile with "flip-up" compartment access doors for self-serve application. Unit is available in choice of three heights with hinged rear see-through access doors. When being used as a "slide-in" please advise if counter height is 34" or 36". Optional 6" or 8" stainless steel adjustable legs or casters are available for slide-in style models.



MODEL	L	D	H
VICD2-20-R-SQ-SC FD	31 1/2"	27 3/8"	21 1/4"
VICD3-20-R-SQ-SC FD	44 3/8"	27 3/8"	21 1/4"
VICD4-20-R-SQ-SC FD	57 1/8"	27 3/8"	21 1/4"
VICD2-27-R-SQ-SC FD	31 1/2"	27 3/8"	28"
VICD3-27-R-SQ-SC FD	44 3/8"	27 3/8"	28"
VICD4-27-R-SQ-SC FD	57 1/8"	27 3/8"	28"
VICD2-34-R-SQ-SC FD	31 1/2"	27 3/8"	34 5/8"
VICD3-34-R-SQ-SC FD	44 3/8"	27 3/8"	34 5/8"
VICD4-34-R-SQ-SC FD	57 1/8"	27 3/8"	34 5/8"

**FLOOR DRAIN REQUIRED**

**Rear Air Breathing  
Units Shown**

**SPECIAL FEATURES**

**Flex Series Paneling Options**



**"FP" STYLE**



**"HP" STYLE**



**"HT" STYLE**

**CONSULT FACTORY FOR ADDITIONAL INFORMATION**

**49.**

**VIENNA FLIP-UP DOORS SERIES VICD-SQ FD**

**VIENNA SLIDING DOORS SERIES VICD SD**



***VARIOUS INSTALLATIONS***



**50. *OPTIONAL REAR SLIDING ACCESS DOORS***

**VICD-SQ SD SQUARED GLASS  
with SLIDING DOORS**

The Vienna Series VICD-SQ SD Slide-in or Drop-in is a refrigerated display merchandiser, featuring insulated glass side panels and squared glass front with "sliding" access doors for self-serve application. Unit is available in choice of two heights with hinged rear see-through access doors. When being used as a "slide-in" please advise if counter height is 34" or 36". Optional 6" or 8" stainless steel adjustable legs or casters are available for slide-in style models.

**FLOOR DRAIN REQUIRED**

**Rear Air Breathing  
Units Shown**



**FRONT SLIDING  
ACCESS DOORS**

MODEL	L	D	H
VICD2-20-R-SQ-SC SD	31 1/2"	27 3/8"	21 1/4"
VICD3-20-R-CV-SC SD	44 3/8"	27 3/8"	21 1/4"
VICD4-20-R-CV-SC SD	57 1/8"	27 3/8"	21 1/4"
VICD2-27-R-CV-SC SD	31 1/2"	27 3/8"	28"
VICD3-27-R-CV-SC SD	44 3/8"	27 3/8"	28"
VICD4-27-R-CV-SC SD	57 1/8"	27 3/8"	28"

**SPECIAL FEATURES**

**Flex Series Paneling Options**



**"FP" STYLE**




**"HP" STYLE**



**"HT" STYLE**

**CONSULT FACTORY FOR ADDITIONAL INFORMATION 51.**

**VIENNA SLIDING DOORS SERIES VICD SD**

The background features a large, semi-transparent white circle on the left side, set against a light green gradient. A thin white border is visible at the bottom of the page.

© RPI Industries, Inc. All Rights Reserved.