



# 

## ICE USAGE APPLICATIONS

### FOOD SERVICE > ICE NEEDS PER DAY

Restaurant.....	1 ½ to 2 lbs. per person
Cocktail.....	3 to 5 lbs. per person/seat
Water Glass.....	4 oz. per 10 oz. glass
Salad Bar.....	30 lbs. per cubic foot
Fast Food.....	5 oz. per 7-10 oz. drink
	8 oz. per 12-16 oz. drink
	12 oz. per 18-24 oz. drink

### HOSPITALITY > ICE NEEDS PER DAY

Guest Ice.....	5 lbs. per room
Restaurant.....	1 ½ to 2 lbs. per person/seat
Cocktail.....	3 to 5 lbs. per person/seat
Catering.....	1 lb. per person

### CONVENIENCE STORE > ICE NEEDS PER DAY

Beverage.....	5 to 6 oz. per 12 oz. drink
	8 to 10 oz. per 20 oz. drink
	12 to 16 oz. per 32 oz. drink

### ENTERTAINMENT > ICE NEEDS PER DAY

Restaurant.....	1 ½ to 2 lbs. per person/seat
Cocktail.....	3 to 5 lbs. per person/seat

### HEALTHCARE > ICE NEEDS PER DAY

Bed.....	6 lbs. per bed
Employee.....	2 lbs. per person



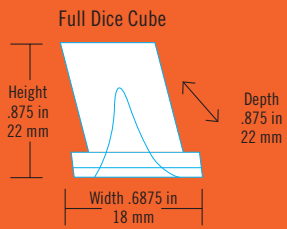
# 

3355 Enterprise Avenue - Suite 160 - Ft. Lauderdale, FL 33331 | Tel: 954.202.7419 - Fax: 954.202.7337 | [www.thelegacycompanies.com](http://www.thelegacycompanies.com)

To order contact: [orders@thelegacycompanies.com](mailto:orders@thelegacycompanies.com) • [www.maxx-ice.com](http://www.maxx-ice.com)

**FULL DICE CUBE** hard, full dice shape

**Models** - MIM50V, MIM50, MIM50P, MIM50P-0, MIM50-0, MIM150, MIM200N, MIM260N, MIM320N, MIM80, MIM120, MIM452, MIM600, MIM1000, MIM360N, MIM370N, MIM650N, MIM1000N

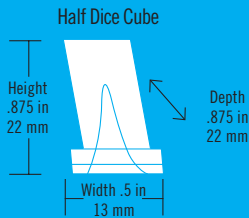


FULL DICE CUBE



**HALF DICE CUBE** hard, half dice shape

**Models** - MIM85H, MIM125H, MIM265H, MIM150N, MIM200NH, MIM260NH, MIM320NH, MIM475H, MIM615H, MIM915H, MIM360NH, MIM370NH, MIM500NH, MIM650NH, MIM1000NH

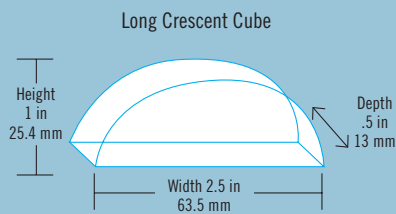


HALF DICE CUBE



**LONG CRESCENT CUBE** hard, crescent shape

**Models** - MIM25, MIM25-0

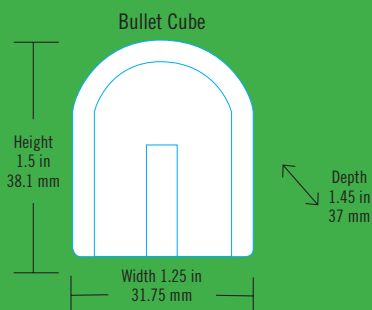


CRESCENT CUBE



**BULLET CUBE** hard, bullet shape

**Models** - MIM75, MIM100, MIM130



BULLET CUBE

