



ICE USAGE APPLICATIONS

FOOD SERVICE > ICE NEEDS PER DAY

- Restaurant.....1 ½ to 2 lbs. per person
- Cocktail.....3 to 5 lbs. per person/seat
- Water Glass.....4 oz. per 10 oz. glass
- Salad Bar.....30 lbs. per cubic foot
- Fast Food.....5 oz. per 7-10 oz. drink
8 oz. per 12-16 oz. drink
12 oz. per 18-24 oz. drink

HOSPITALITY > ICE NEEDS PER DAY

- Guest Ice.....5 lbs. per room
- Restaurant.....1 ½ to 2 lbs. per person/seat
- Cocktail.....3 to 5 lbs. per person/seat
- Catering.....1 lb. per person

CONVENIENCE STORE > ICE NEEDS PER DAY

- Beverage.....5 to 6 oz. per 12 oz. drink
8 to 10 oz. per 20 oz. drink
12 to 16 oz. per 32 oz. drink

ENTERTAINMENT > ICE NEEDS PER DAY

- Restaurant.....1 ½ to 2 lbs. per person/seat
- Cocktail.....3 to 5 lbs. per person/seat

HEALTHCARE > ICE NEEDS PER DAY

- Bed.....6 lbs. per bed
- Employee.....2 lbs. per person

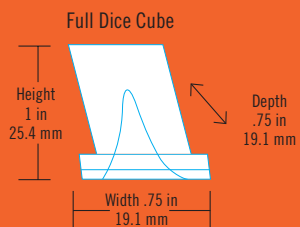


3355 Enterprise Avenue - Suite 160 - Ft. Lauderdale, FL 33331 | Tel: 954.202.7419 - Fax: 954.202.7337 | www.thelegacycompanies.com

To order contact: orders@thelegacycompanies.com • www.Maxx-Ice.com

FULL DICE CUBE hard, full dice shape

Models - MIM50 SERIES, MIM150N, MIM200N, MIM260N, MIM320N, MIM120, MIM250, MIM452, MIM600, MIM1000, MIM360N, MIM370N, MIM500N, MIM650N, MIM1000N

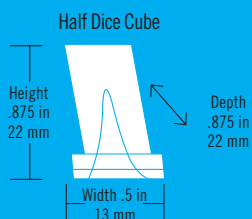


FULL DICE CUBE



HALF DICE CUBE hard, half dice shape

Models - MIM85H, MIM125H, MIM265H, MIM150NH, MIM200NH, MIM260NH, MIM320NH, MIM360NH, MIM370NH, MIM500NH, MIM650NH, MIM1000NH

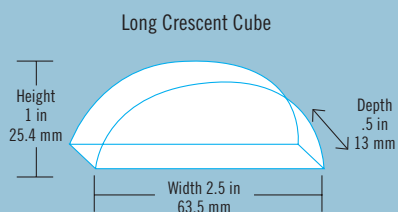


HALF DICE CUBE



LONG CRESCENT CUBE hard, crescent shape

Models - MMAR25 SERIES

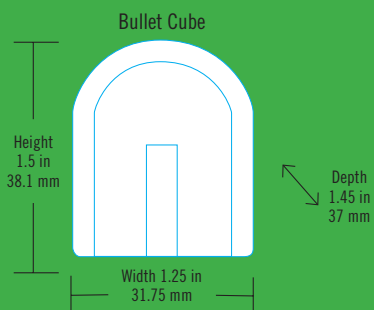


CRESCENT CUBE



BULLET CUBE hard, bullet shape

Models - MIM75, MIM100, MIM130



BULLET CUBE

