



## Compact Point-of-Use Electric Heater

1 gallon, 1000 watts,  
120 volt, single phase

**The Hubbell Expeditor Series is designed to save you time and money. All Expeditor products are easy to install and service.**

- Stainless Steel tank and a low watt density heating element provide long service life
- Reliable, trouble-free design
- Space saving design requires no floor space and is acceptable for use in ADA compliant installations
- Low amperage design reduces peak power consumption and installation costs
- 304 Stainless Steel Exterior
- Point of use installation installs directly to cold water piping
- Thermostat provides accurate temperature control
- No flow restrictor or special aerator required
- Easily installed using 120V 1 phase power

### Applications

Restaurants, schools, hospitals, casinos, country clubs, banquet centers, correctional facilities, food preparation facilities, wash room/lavatory sinks, hand sinks, remote locations, food carts, OEM applications, and much more.



J1SSA  
EXPEDITOR SERIES

The Hubbell Expeditor J1SSA is a compact point-of-use water heater that does not take up any floor space and eliminates the need for long pipe runs from a central heater. It is simple to install, operates with all types of fixtures, does not require a flow restricting device and will not alter the performance or appearance of a fixture. The Expeditor J1SSA is ideal for many foodservice applications where point of use hot water is required. Its rugged construction ensures reliable and trouble free operation.

### Reliability is not just a word for us – it's everything we do.

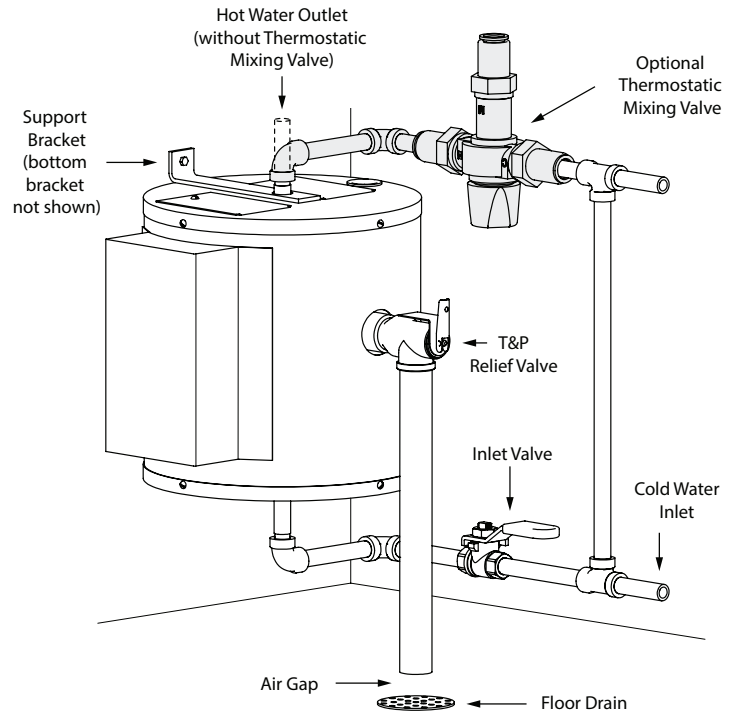
Hubbell Expeditor booster heaters are the right choice for your foodservice needs. For over a century, we have delivered solutions that stand up to the rigors of even the busiest kitchens. Contact us today and experience the Hubbell difference.



## Heater Specifications

	Watts	Amps	Volt	Phase	Recovery Rate No Thermostatic Mixing Valve	Recovery Rate With Thermostatic Mixing Valve
<b>J1SSA</b>	1000	8.3	120	1	6.3 GPH	11.5 GPH
<b>JO.4SSA</b>	450	3.8	120	1	2.8 GPH	6 GPH

<b>Tank</b>	Stainless Steel
<b>Capacities</b>	1 gallon
<b>Orientation</b>	Vertical
<b>Voltage</b>	120 Volt
<b>Phases</b>	1 Phase
<b>Connection Size:</b>	
Inlet	1/4" Male NPT
Outlet	1/4" Male NPT
Relief Valve	3/4" Female NPT
<b>Thermostat Range</b>	110–170°F, graduated 1–10
<b>Hi-Limit</b>	190°F (fixed)
<b>Design WP</b>	150 psi
<b>Test Pressure</b>	300 psi
<b>Element</b>	Copper Sheathed
<b>Insulation</b>	1" Fiberglass
<b>Warranty</b>	
Parts/Labor	1 year
Tank	5 year Non Pro-Rated
<b>Jacket</b>	304 Stainless Steel
<b>Shipping Weight</b>	15 lbs



### Available Accessories

**10-year Warranty:** 10-year non pro-rated tank warranty, specify part number VESSEL WARRANTY

**Note:** Alternate voltages available, consult factory

## Optional Equipment

**Note:** Optional equipment must be called out in the written specifications, use the codes below.

### Electrical

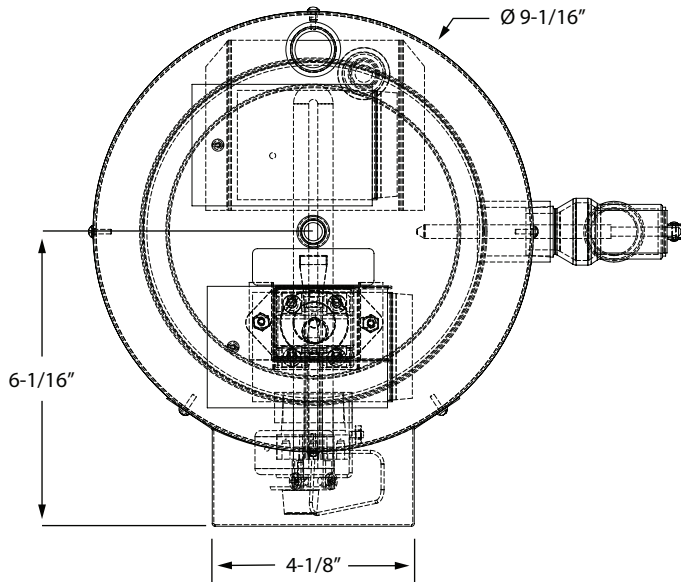
**E10** Factory supplied 6 foot long grounded power cord

### General

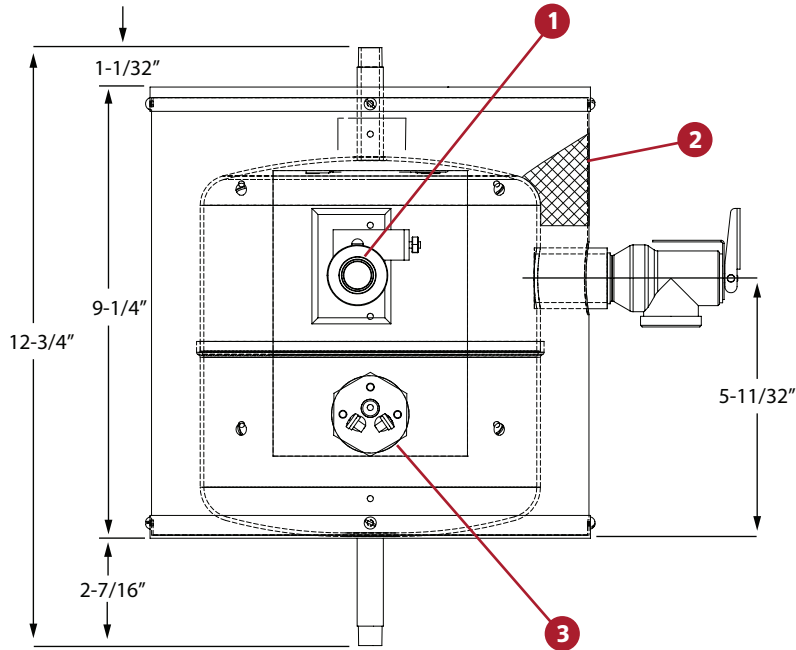
**G50** Thermostatic mixing valve is 1/2" and adjustable from 100-130°F

**Please note:** Optional equipment may impact overall dimensions and weight. Please request submittal drawing from factory.

## Dimensions

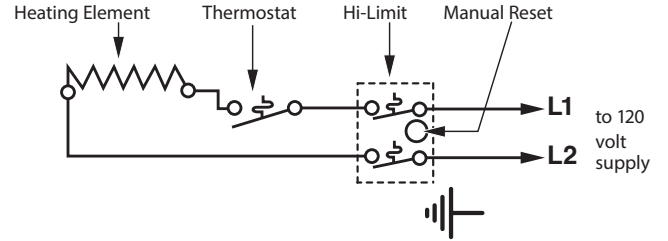


TOP VIEW

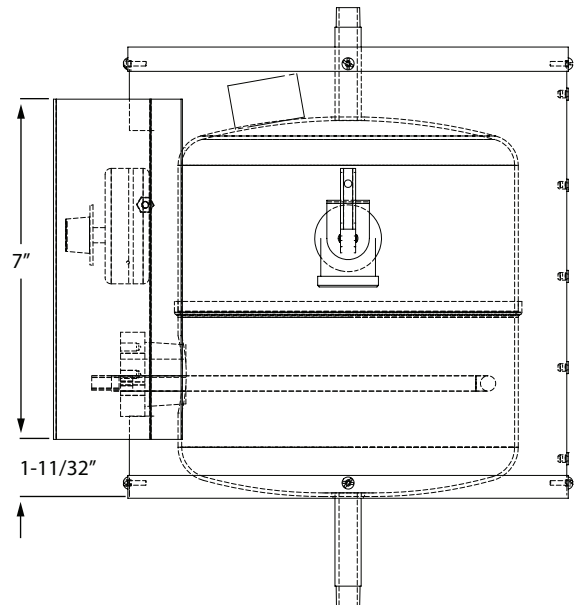


FRONT VIEW

## Wiring Diagram



PC Number	Description
1	Thermostat 110–170°F
2	Insulation Fiberglass 1" Thick
3	Heating Element – 1000 Watts, 120V



SIDE VIEW

### Notes:

1. Unit rated for 150 psi WP
2. Recovery rated 6.3 GPH 45-110°F and will draw 8.3 amps at 120 V, 1 PH
3. Unit supplied with two (2) wall mounting brackets
4. Unit supplied with T&P relief valve set at 150 psi and 210°F





## Complete Inventory Ready to Ship

Hubbell Expedito booster heaters are ready to ship same day when an order is received by the factory by 12:00pm EST.

800.647.3165  
[info@boosterheaters.com](mailto:info@boosterheaters.com)  
[boosterheaters.com](http://boosterheaters.com)

45 Seymour Street, P.O. Box 288, Stratford, CT 06615

