

## Point-Of-Use Water Heater

Compact, 2.5 Gallon water heater, designed to boost water temperatures in remote locations where space is limited.

**The Hubbell Expeditor Series is designed to save you time and money. They are easy to install and service — no components need to be removed to replace any other components.**

- Long Lasting, All Stainless Steel Tank
- Fully Insulated for Maximum Efficiency
- Electronic Temperature Controller with Digital Display
- Adjustable Temperature Range of 50°F – 160°F
- Fast Recovery Rate for Maximum Performance
- Easy to Install and Maintain
- Variety of Electrical Options, Including 120V
- 6 Foot Power Cord and Grounded Plug (on 120V Models up to 1500W)
- Drain Provided for Easy Maintenance

### Applications

Restaurants, schools, hospitals, casinos, country clubs, banquet centers, correctional facilities, food preparation facilities, glasswashers, wet bars, restrooms, food carts, and much more.

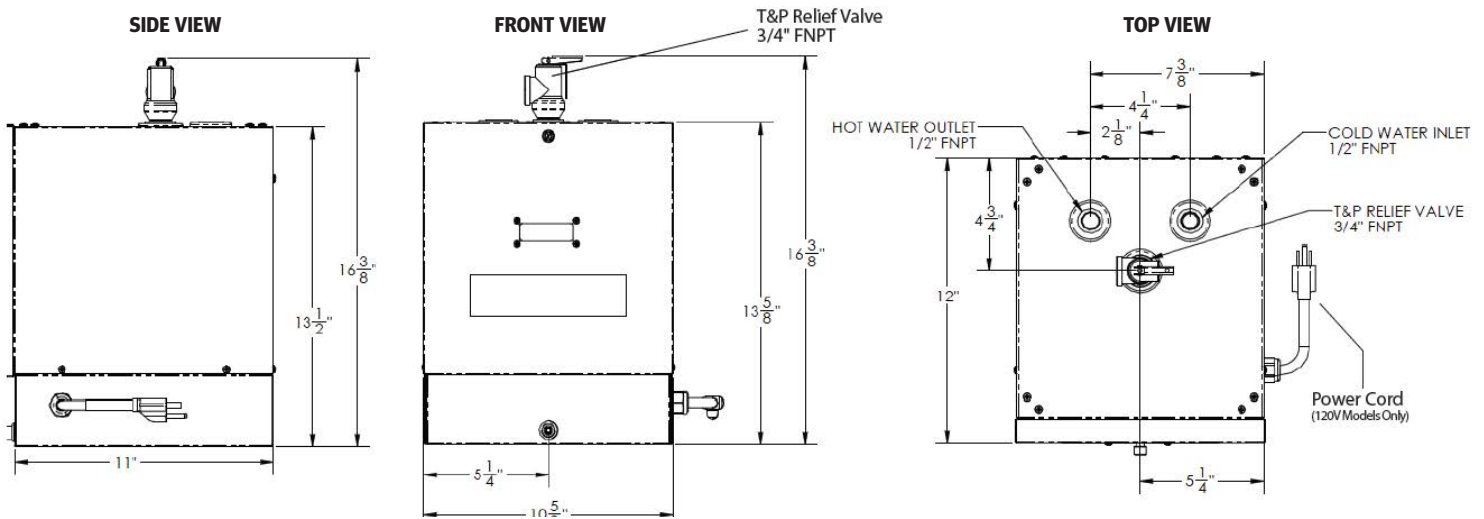


EXPEDITOR SERIES

The Hubbell J25 is a compact point-of-use water heater that is the perfect solution for remote locations where hot water is necessary but space is limited. With a 2.5 gallon storage tank and multiple kilowatt options available, the Hubbell J25 is the best choice for all types of fixtures. Simple plug and play operation with 120V models make the J25 easy to use and install, while an electronic temperature controller and digital display provides accurate, reliable, and energy efficient operation. The rugged construction of the J25 also ensures trouble free operation and a long lasting, trustworthy source for hot water.

## Selection Chart

Base Model Number	KW Rating	Storage Capacity (Gallons)	Full Model Number Listed by Voltage				Amperage Draw by Voltage			
			120V	208V	240V	277V	120V	208V	240V	277V
			1Φ	1Φ	1Φ	1Φ	1Φ	1Φ	1Φ	1Φ
J25	0	2.5 Gallons	J25-750A	J25-750RS			6.3	3.6		
	1		J25-1000A	J25-1000RS	J25-1000S	J25-1000W	8.3	5.4	4.2	4.8
	1.5		J25-1500A	J25-1500RS	J25-1500S		12.5	7.2	6.3	
	2		J25-2000A	J25-2000RS	J25-2000S	J25-2000W	16.7	10.8	8.3	7.2
	2.5					J25-2500W				9.6
	3			J25-3000RS	J25-3000S			14.4	12.5	



## Heater Sizing Formula

### REQUIRED VARIABLES:

- A. Water usage in GPH
- B. Supply water temp in °F
- C. Desired water temp in °F
- D. Calculate the ΔT (temp rise) by subtracting C – B in °F

### FORMULA TO DETERMINE KW:

$$\boxed{A} \text{ GPH} \times \boxed{D} \text{ } ^\circ\text{F } \Delta\text{T} \times 0.00244 = \boxed{\phantom{000}} \text{ KW}$$

## Recovery Ratings up to 3 KW

Recovery Rate in GPH at °F Temperature Rise (ΔT)											
KW	Wattage	10°F ΔT	20°F ΔT	30°F ΔT	40°F ΔT	50°F ΔT	60°F ΔT	70°F ΔT	80°F ΔT	90°F ΔT	100°F ΔT
0	750	30.7	15.3	10.2	7.8	8.1	5.1	4.3	3.8	3.4	3.0
1	1000	41.0	20.5	13.8	10.2	8.2	6.8	5.8	5.1	4.5	4.1
1.5	1500	61.5	30.7	20.5	15.3	12.3	10.2	8.7	7.6	6.8	6.1
2	2000	82.0	41.0	27.3	20.5	16.4	13.6	11.7	10.2	9.1	8.2
2.5	2500	102.5	51.2	34.1	25.6	20.5	17.0	14.6	12.8	11.3	10.2
3	3000	123.0	61.5	41.0	30.7	24.6	20.5	17.5	15.3	13.6	12.3

## Standard Accessories

- **6" plastic legs**
- **Temperature & Pressure Relief Valve**
- **6' cord and grounded plug**  
(120V models up to 1500 watts)

## Optional Accessories

- **Rocker Switch:** Turns Booster On/Off without having to remove cover.
- **Tempering Valve Kit:** Improves temperature control while maximizing efficiency and recovery (installed at factory).

**Note:** The Hubbell J25 is suitable for cold or pre-heated water use.



## Complete Inventory Ready to Ship

Hubbell Expeditor booster heaters are ready to ship same day when an order is received by the factory by 12:00pm EST.

800.647.3165  
[info@boosterheaters.com](mailto:info@boosterheaters.com)  
[boosterheaters.com](http://boosterheaters.com)

45 Seymour Street, P.O. Box 288, Stratford, CT 06615

