

RC400 SINGLE SERVE COFFEE BREWERS

Project

Date

Models
RC400

Item #

Quantity



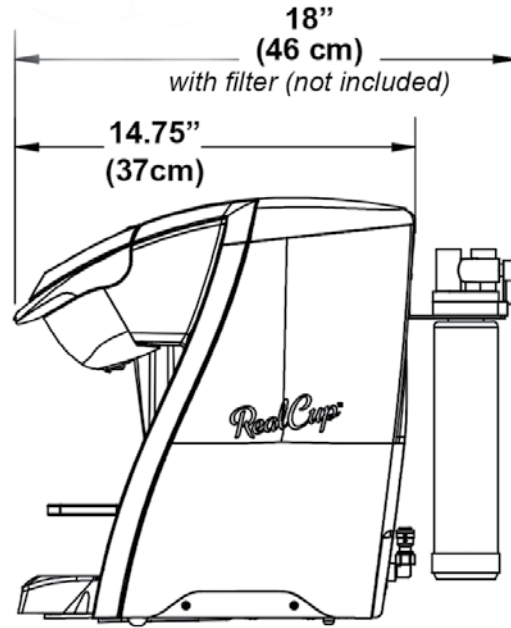
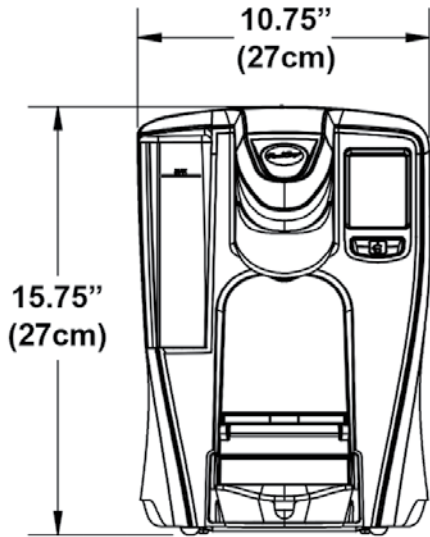
Model RC400

Features

- Compatible for use with any single-serve capsule, including RealCup™ and K-Cup®.
- Pulse brew and pre-infusion optimized for coffee, tea, and cocoa.
- Large touchscreen and easy-to-use one-touch controls.
- Faster brew with no lag time, starting the moment the brew button is pressed.
- Patented brew chamber ensures even water distribution for full flavor every time.
- 4 - 16 oz. (118 - 473 ml) brew sizes with an adjustable platform for oversized travel mugs.
- Plumbed in and pourover capable right out of the box.
- More operator settings, including resettable brew counter and customizable default options.
- Commercial grade parts for long life in heavy-usage locations.
- Repairable machine with access to replacement parts.
- Added safety with locking brew chamber.
- Energy save mode engages at a programmed time of day, or when brewer has been inactive.
- 72 oz. (2.13 L) cold water reservoir.



RC400 SINGLE SERVE COFFEE BREWERS



model RC400 represented



MODEL	DESCRIPTION	NUMBER OF HEATERS	ELECTRICAL	PRODUCT DIMENSIONS (H X W X D)	SHIPPING DIMENSIONS (H X W X D)	SHIP WEIGHT
RC400 (0001-10000)	4 oz. (118 ml)	1	120V / 1.55 kW 13A / 1 Ph	15.75" x 10.75" x 14.75" (40 cm x 27 cm x 37 cm)	20" x 15" x 19" (51 cm x 38 cm x 48 cm)	19 lbs. (8.6 kg)
	6 oz. (177 ml)					
	8 oz. (237 ml)					
	10 oz. (296 ml)					
	12 oz. (355 ml)					
16 oz. (473 ml)						

Electrical: NEMA 5-15P line cord included.

Plumbing: Water pressure from 10-100 psi required.

Note: Filter Kit not included with RC400. Please see options.

Note: RealCup™ brand has no affiliation with K-Cup® or Keurig Inc. Keurig® and K-Cup® are registered trademarks of Keurig, Inc.

OPTIONS

Water Filter Kit: (250-00034) - Contains all needed hardware and filter for application to the RC400 Single Cup Brewer.